

H59140

-UN-30JUL99



*JOHN DEERE 914P' BELT PICKUP WITH PLATFORM*

*(SPECIFICATIONS AND DESIGN SUBJECT TO CHANGE WITHOUT NOTICE)*

## SERIAL NUMBER PLATE

USE ALL NUMBERS, LETTERS, AND SPACES SHOWN ON THE SERIAL NUMBER PLATE IN WARRANTY CORRESPONDENCE.

PICKUP PLATFORM (625001- )

ON THESE PLATFORMS, THE SERIAL NUMBER PLATE IS LOCATED ON THE LEFT-HAND SIDE OF THE FRAME.

*EXAMPLE:*

*PICKUP PLATFORM*

(FIRST LINE) H0 - FACTORY (HARVESTER WORKS)

0912 - PLATFORM MODEL

X - CONFIGURATION/MODEL SUFFIX

625001 - PLATFORM SEQUENCE NUMBER (SERIAL NUMBER)

(SECOND LINE) PICKUP PLATFORM - PRODUCT TYPE

NOTE: BELT PICKUPS DO NOT HAVE SERIAL NUMBERS. CHANGES TO BELT PICKUPS ARE SHOWN BY YEARS.

### IMPORTANT

THIS PARTS CATALOG CONTAINS COMPLETE PARTS INFORMATION ON THE THREE-ROLLER BELT AND PICKUP PLATFORM. IT IS IMPORTANT THAT THE CORRECT SERIAL NUMBER BE USED WHEN ORDERING PARTS.

### SERIAL NUMBER LISTING INFORMATION

SERIAL NUMBER INFORMATION IS LISTED TO SHOW ON WHICH MACHINES EACH PART CAN BE USED, FOR EXAMPLE:

- THE PART CAN BE USED ON ALL MACHINES.

000000- THE PART CAN BE USED ON ALL MACHINES BEGINNING WITH THE SERIAL NUMBER LISTED.

-000000 THE PART CAN BE USED ON ALL MACHINES UP TO AND INCLUDING THE SERIAL NUMBER LISTED.

000000-000000 THE PART CAN BE USED ON ALL MACHINES BETWEEN AND INCLUDING THE SERIAL NUMBERS LISTED.

WHEN XXXXXX'S ARE LISTED IN PLACE OF A SERIAL NUMBER, A SERIAL NUMBER CHANGE WAS MADE BUT THE EXACT SERIAL NUMBER WAS NOT AVAILABLE WHEN THE CATALOG WAS PRODUCED.

*COPYRIGHT (C) 2000. DEERE & COMPANY. MOLINE, ILLINOIS  
ALL RIGHTS RESERVED*

## DIRECTION ARROW

ARROWS ARE USED WITH ILLUSTRATIONS TO INDICATE THE FRONT OF THE UNIT. "RIGHT-HAND" AND "LEFT-HAND" SIDES ARE DETERMINED BY FACING IN THE DIRECTION OF MACHINE FORWARD TRAVEL.

## BOX-ENCLOSED ILLUSTRATIONS

A KEY NUMBER, SHOWN IN THE PARTS LIST, IS ASSIGNED TO A BOX ENCLOSING ALL PARTS SOLD AS A SERVICE ASSEMBLY. A BOX NOT KEYED INCLUDES NON-CURRENT PARTS.

## KITS

KIT INFORMATION CAN BE FOUND IMMEDIATELY AFTER THE STORY IN WHICH IT IS USED. THE ILLUSTRATION IS REPEATED WITH ONLY THE KIT PARTS CALLED OUT AND WITH ALL OTHER PARTS SHOWN IN PHANTOM.

## JDM REMANUFACTURED COMPONENTS

THE SERVICE PARTS LISTED IN THIS CATALOG ARE INTENDED FOR THE REPAIR OF ORIGINAL EQUIPMENT COMPONENTS. ALTHOUGH MOST SERVICE PARTS MAY BE USED TO REPAIR REMANUFACTURED COMPONENTS, THE REMANUFACTURED DESIGN MAY CHANGE PARTS SUFFICIENTLY SO THAT SERVICE PARTS ARE INADEQUATE OR NOT USABLE.

## BOLT AND CAP SCREW STRENGTH IDENTIFICATION

BOLTS AND CAP SCREWS REQUIRED TO HAVE HIGH-STRENGTH QUALITIES EQUIVALENT TO SAE GRADE 8 ARE IDENTIFIED THROUGHOUT THIS CATALOG BY THE DESCRIPTION HS SAE 8. ALL STANDARD BOLTS AND CAP SCREWS ARE SAE GRADE 5 OR LOWER. BOLTS AND CAP SCREWS REQUIRED TO HAVE HIGH-STRENGTH QUALITIES EQUIVALENT TO PROPERTY CLASS 10.9 ARE IDENTIFIED THROUGHOUT THIS CATALOG BY THE DESCRIPTION HS 10.9. ALL STANDARD BOLTS AND CAP SCREWS ARE PROPERTY CLASS 8.8 OR LOWER.

## SI UNITS OF MEASURE

METRIC DIMENSIONS ARE GIVEN, WHERE APPLICABLE, THROUGHOUT THIS PARTS CATALOG.

## TRADEMARKS

THROUGHOUT THIS PARTS CATALOG, YOU WILL FIND THE FOLLOWING DEERE & COMPANY TRADEMARKS:

DIAL-A-SPEED™  
DIAL-A-MATIC™  
HARVESTRAK™

POSI-TORQ™  
TORQ-GARD SUPREME®  
QUIK-TATCH™

## CHANGE INDICATOR LINE

CHANGES AFFECTING THE ORDERING OF PARTS ARE IDENTIFIED BY VERTICAL LINES MARKED IN THE L. H. MARGIN OF REVISED PARTS LISTING IMAGES. A LINE IS ALSO AT THE LEFT-HAND EDGE OF THE SAME PART NUMBER IN THE NUMERICAL INDEX TO SHOW THE LOCATION OF REVISED INFORMATION.

## COMPLETE GOODS LISTINGS

COMPLETE GOODS ARE IN BOLD FACE TYPE. ORDER SEPARATELY. DO NOT INCLUDE ON REPLACEMENT PARTS ORDER.

## SECTION INDEX

SECTION 05 - GENERAL INFORMATION

SECTION 10 - ROLLERS AND SUPPORTS

SECTION 15 - FRAME, STRIPPERS, DIVIDERS AND PLATES

SECTION 20 - HEADER HEIGHT CONTROL

SECTION 25 - AUGER AND DRIVE

SECTION 30 - HYDRAULICS

SECTION 35 - IDLERS, TIGHTENERS AND SHIELDS

SECTION 40 - BELTS, CHAINS, SHEAVES, SPROCKETS AND DECALS

SECTION 45 - NUMERICAL INDEX

**ALPHABETICAL INDEX**

GRID		PAGE	GRID		PAGE
<b>A</b>			<b>E</b>		
B17	ADAPTOR, BACK SHAFT - NEW HEADS TO OLD LEVEL LAND COMBINES.....	25 - 10	B8	EXTENSIONS, FLIGHT, AUGER .....	25 - 1
A23	ADAPTOR, DIAL-A-MATIC (CONVERSION TO 16- PIN CONNECTOR) .....	20 - 2	<b>F</b>		
A10	ARMS, FINGER HOLD-DOWN .....	10 - 2	B13	FINGERS, AUGER.....	25 - 6
B10	AUGER ADJUSTMENT BRACKETS.....	25 - 3	A10	FINGERS, HOLD-DOWN.....	10 - 2
B11	AUGER AND SHAFT.....	25 - 4	A15	FLAP, STRIPPER (132" BELT PICKUP) .....	15 - 1
B13	AUGER BEARINGS.....	25 - 6	A16	FLAP, STRIPPER (154" BELT PICKUP) .....	15 - 2
B11	AUGER COVER.....	25 - 4	B8	FLIGHT, AUGER, EXTENSIONS .....	25 - 1
B13	AUGER CRANK.....	25 - 6	B9	FLIGHT, WINDROW SPREADER .....	25 - 2
B13	AUGER FINGERS .....	25 - 6	A12	FRAME, IDLER ROLLERS .....	10 - 4
B8	AUGER FLIGHT EXTENSIONS .....	25 - 1	A18	FRAME, MAIN AND RUNNERS .....	15 - 4
B11	AUGER HUB .....	25 - 4	<b>G</b>		
B13	AUGER SHAFTS .....	25 - 6	A9	GAUGE WHEELS .....	10 - 1
B3	AUTO BELT SPEED .....	20 - 6	A20	GRAIN SLIDE.....	15 - 6
A22	AUTOMATIC HEIGHT CONTROL SENSOR, LINKAGE AND HANGER.....	20 - 1	B9	GUSSETT, WINDROW SPREADER.....	25 - 2
<b>B</b>			<b>H</b>		
B17	BACK SHAFT ADAPTOR - NEW HEADS TO OLD LEVEL LAND COMBINES.....	25 - 10	A22	HANGER, AUTOMATIC HEIGHT CONTROL.....	20 - 1
A20	BACK SHEETS .....	15 - 6	A24	HEADER HEIGHT CONTROL SHAFT, BEARINGS AND BRACKETS (685056- ) .....	20 - 3
B15	BACKSHAFT .....	25 - 8	B1	HEADER HEIGHT CONTROL WIRING HARNESS .....	20 - 4
B13	BEARINGS, AUGER .....	25 - 6	A10	HOLD-DOWN FINGERS .....	10 - 2
A24	BEARINGS, HEADER HEIGHT CONTROL (685056- ) .....	20 - 3	B22	HOSES, HYDRAULIC .....	30 - 2
A13	BEARINGS,CENTER AND IDLER ROLLERS DRIVE ....	10 - 5	A13	HOUSINGS, BEARINGS, IDLER DRIVE ROLLER.....	10 - 5
B3	BELT SPEED, AUTO.....	20 - 6	B11	HUB, AUGER .....	25 - 4
A17	BELTS AND FINGERS .....	15 - 3	B21	HYDRAULIC LINES AND BRACKET .....	30 - 1
A20	BOTTOM SHEET .....	15 - 6	B22	HYDRAULIC LINES AND HOSES .....	30 - 2
B21	BRACKET, HYDRAULIC LINES .....	30 - 1	B24	HYDRAULIC MOTOR COUPLER .....	30 - 4
B24	BRACKET, HYDRAULIC MOTOR.....	30 - 4	B24	HYDRAULIC MOTOR MOUNTING BRACKET.....	30 - 4
B10	BRACKETS, AUGER ADJUSTMENT .....	25 - 3	<b>I</b>		
A24	BRACKETS, HEADER HEIGHT CONTROL (685056- ) .....	20 - 3	A12	IDLER ROLLERS.....	10 - 4
<b>C</b>			<b>L</b>		
B19	CABLE, STORAGE, POWER SHAFT.....	25 - 12	B5	LIGHTS, MARKER .....	20 - 8
A12	CENTER DRIVE.....	10 - 4	B6	LIGHTS, STUBBLE .....	20 - 9
C4	CHAIN, DRIVE, ON R.H. SIDE .....	40 - 1	B21	LINES, HYDRAULIC .....	30 - 1
B21	COUPLER, BRACKET, HYDRAULIC LINES .....	30 - 1	B22	LINES, HYDRAULIC .....	30 - 2
B24	COUPLER, HYDRAULIC MOTOR.....	30 - 4	A22	LINKAGE, AUTOMATIC HEIGHT CONTROL.....	20 - 1
B11	COVER, AUGER .....	25 - 4	<b>M</b>		
B13	CRANK, AUGER .....	25 - 6	B18	MAIN DRIVE SHAFT .....	25 - 11
<b>D</b>			A18	MAIN FRAME AND RUNNERS.....	15 - 4
C5	DECALS (685151- ) .....	40 - 2	B5	MARKER LIGHTS .....	20 - 8
A23	DIAL-A-MATIC SENSING BOX (FOR CONVERSION TO 16-PIN CONNECTOR) .....	20 - 2	B24	MOTOR, COUPLER.....	30 - 4
B1	DIAL-A-MATIC WIRING HARNESS .....	20 - 4	B24	MOTOR, MOUNTING BRACKET .....	30 - 4
B1	DIAL-A-MATIC, HEADER HEIGHT CONTROL.....	20 - 4	B23	MOTOR, REEL (EATON).....	30 - 3
B1	DIAL-A-SPEED CONTROL .....	20 - 4	A23	MOUNTING, SENSING BOX, DIAL-A-MATIC (FOR CONVERSION TO 16-PIN CONNECTOR).....	20 - 2
C4	DRIVE CHAIN ON RIGHT-HAND SIDE .....	40 - 1			
B18	DRIVE SHAFT, MAIN .....	25 - 11			
A12	DRIVE, CENTER .....	10 - 4			

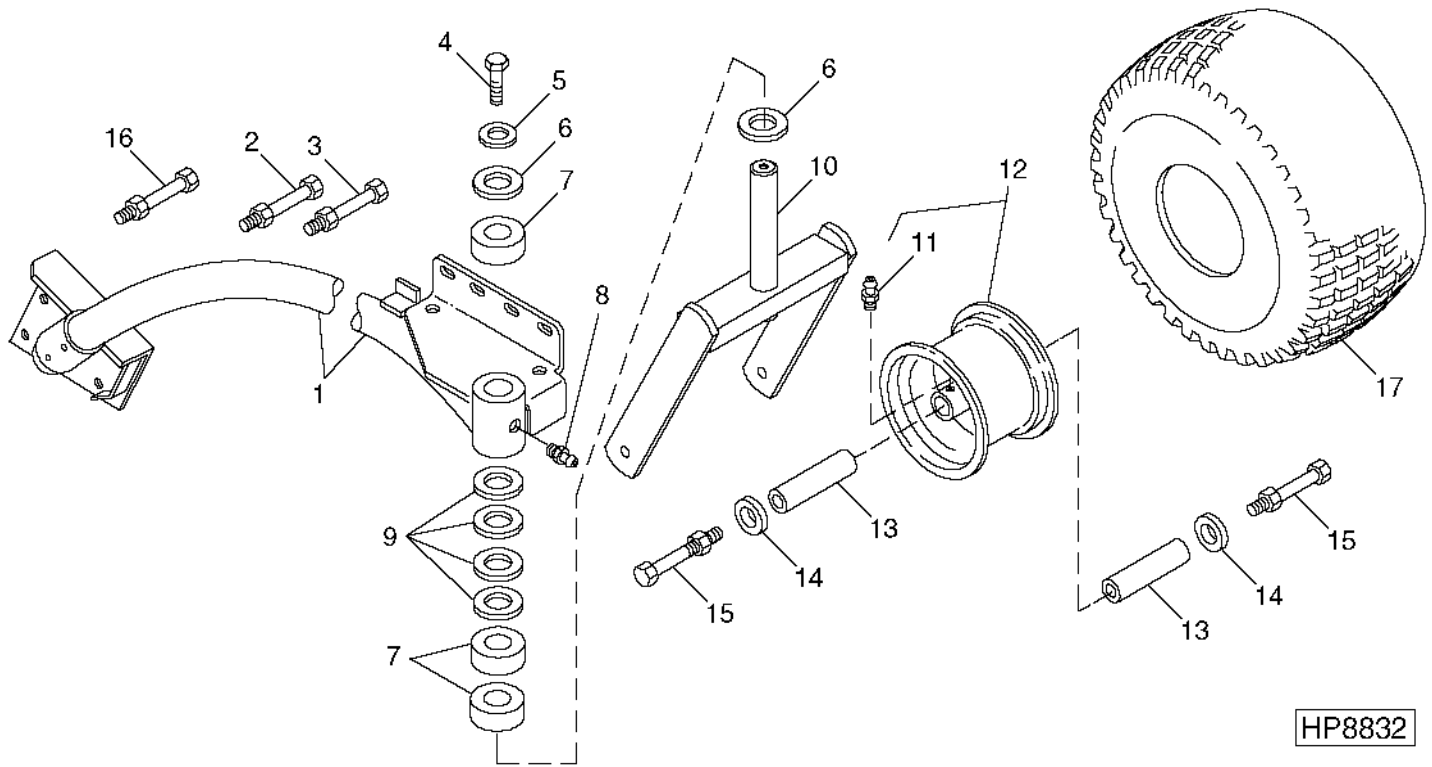
## ALPHABETICAL INDEX - CONTINUED

<i>GRID</i>		<i>PAGE</i>	<i>GRID</i>	<i>PAGE</i>
P				
B22	PICKUP DRIVE .....	30 - 2		
A11	PICKUP SHIELDS .....	10 - 3		
B19	POWER SHAFT STORAGE CABLE ASSEMBLY .....	25 - 12		
R				
B23	REEL MOTOR (EATON) .....	30 - 3		
A10	RETAINER, HOLD-DOWN FINGERS .....	10 - 2		
A12	ROLLERS, IDLER .....	10 - 4		
A18	RUNNERS AND MAIN FRAME.....	15 - 4		
S				
A23	SENSING BOX, DIAL-A-MATIC (CONVERSION TO 16-PIN CONNECTOR) .....	20 - 2		
A22	SENSOR, AUTOMATIC HEIGHT CONTROL .....	20 - 1		
B11	SHAFT AND AUGER.....	25 - 4		
A24	SHAFT, HEADER HEIGHT CONTROL (685056- ) .....	20 - 3		
B18	SHAFT, MAIN DRIVE .....	25 - 11		
B13	SHAFTS, AUGER.....	25 - 6		
A20	SHEET, BOTTOM .....	15 - 6		
A20	SHEETS, BACK .....	15 - 6		
C2	SHIELD.....	35 - 1		
A11	SHIELDS, PICKUP.....	10 - 3		
B3	SPEED, AUTO BELT.....	20 - 6		
C4	SPROCKETS AND TIGHTENERS ON R.H. SIDE.....	40 - 1		
A13	SPROCKETS,CENTER AND IDLER ROLLERS DRIVE	10 - 5		
B19	STORAGE CABLE, POWER SHAFT .....	25 - 12		
A20	STRIPPER .....	15 - 6		
A15	STRIPPER (132" BELT PICKUP) .....	15 - 1		
A16	STRIPPER (154" BELT PICKUP) .....	15 - 2		
A15	STRIPPER FLAP (132" BELT PICKUP) .....	15 - 1		
A16	STRIPPER FLAP (154" BELT PICKUP) .....	15 - 2		
B6	STUBBLE LIGHTS .....	20 - 9		
A9	SUPPORT, YOKE .....	10 - 1		
A18	SUPPORTS, MAIN FRAME.....	15 - 4		
T				
C4	TIGHTENERS AND SPROCKETS ON R.H. SIDE.....	40 - 1		
W				
A9	WHEEL YOKE .....	10 - 1		
A9	WHEELS, GAUGE .....	10 - 1		
B9	WINDROW SPREADER FLIGHT .....	25 - 2		
A23	WIRING HARNESS, ADAPTOR, DIAL-A-MATIC (F OR CONVERSION TO 16-PIN CONNECTOR) .....	20 - 2		
B1	WIRING HARNESS, HEADER HEIGHT CONTROL .....	20 - 4		
Y				
A9	YOKE SUPPORT .....	10 - 1		

# A9

## ROLLERS AND SUPPORTS

**GAUGE WHEELS**  
**(R.H. ILLUSTRATED)**  
 HP8832 -UN-22JUL99

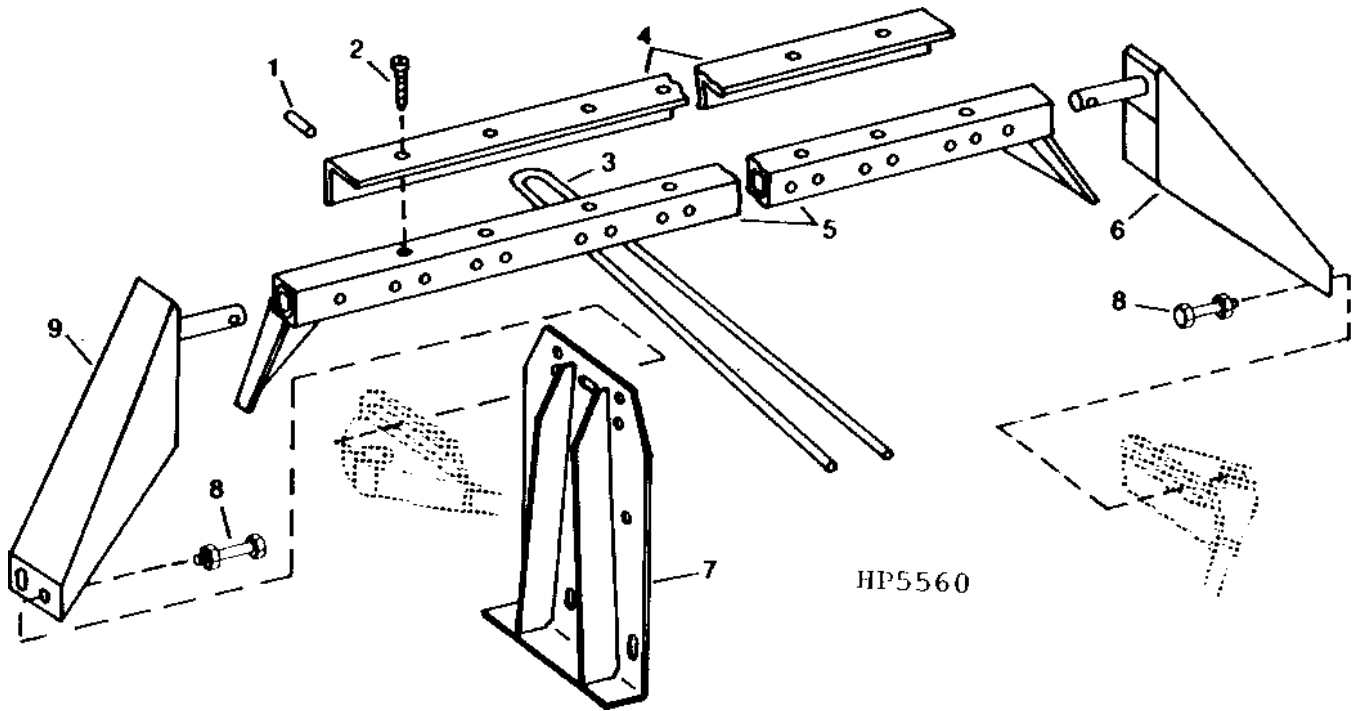


HP8832

KEY	PART NO.	PART NAME	QTY	SERIAL NO.	REMARKS
1	AH132562	SUPPORT	1	R.H.	
	AH132563	SUPPORT	1	L.H.	
2	03M7200	BOLT	8	M12 X 40	
	14M7299	FLANGE NUT	8	M12	
3	03M7185	BOLT	4	M8 X 25	
	14M7298	FLANGE NUT	4	M8	
4	19M7788	SCREW	2	M12 X 25	
5	24H1347	WASHER	2	17/32" X 2" X 0.194"	
6	24H1520	WASHER	4	1-15/32" X 2" X 0.105"	
7	H111742	SLEEVE	6		
8	JD7797	LUBRICATION FITTING	2		STRAIGHT, 1/4"
9	E32172	WASHER	8		
10	AH133711	YOKE	2		
11	JD7829	LUBRICATION FITTING	2		STRAIGHT, 5/16"
12	AH133712	WHEEL	2		(USE 20 X 10.00 - 8 TIRES)
13	H139004	PIN	2		
14	G6891E	CAP	4		
15	19M7843	SCREW	2	M16 X 35	
16	03M7197	BOLT	1	M12 X 25	
	14M7299	FLANGE NUT	1	M12	
17	.....	TIRE	2		(4 PLY TIRE)
	.....	TIRE	2		(6 PLY TIRE)

# A10

**HOLD-DOWN FINGERS AND SUPPORTS**  
HP5560 -UN-01JAN94



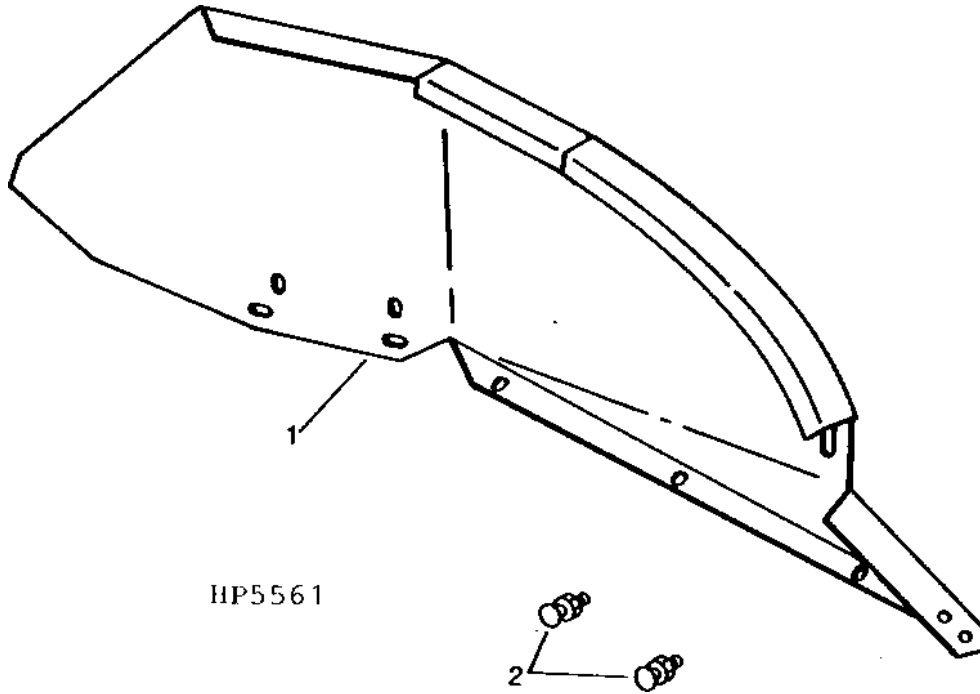
HP5560

KEY	PART NO.	PART NAME	QTY	SERIAL NO.	REMARKS
1	34H105	SPRING PIN	2		1/4" X 1-1/2"
2	37M7083	SCREW	AR		M8 X 12 (132", 9 USED; 154", 10 USED)
3	H87747	FINGER	AR		(132", 31 USED; 154", 36 USED)
4	H106260	RETAINER	1		(132")
	H106259	RETAINER	1		(154")
5	AH98138	TUBE	1		(132")
	AH156408	TUBE	1		(154")
6	AH132570	SUPPORT	1		(R.H.)
7	AH132572	EXTENSION	2		L H OR R H, TWO REQUIRED
8	19M7789	SCREW	4		M12 X 30
	14M7299	FLANGE NUT	4		M12
9	AH132571	SUPPORT	1		(L.H.)
..	AH135954	EXTENSION	1		(INCLUDES AH132572, (4) 19M7789 AND (4) 14M7299)



# A11

PICKUP SHIELDS  
 HP5561 -UN-01JAN94

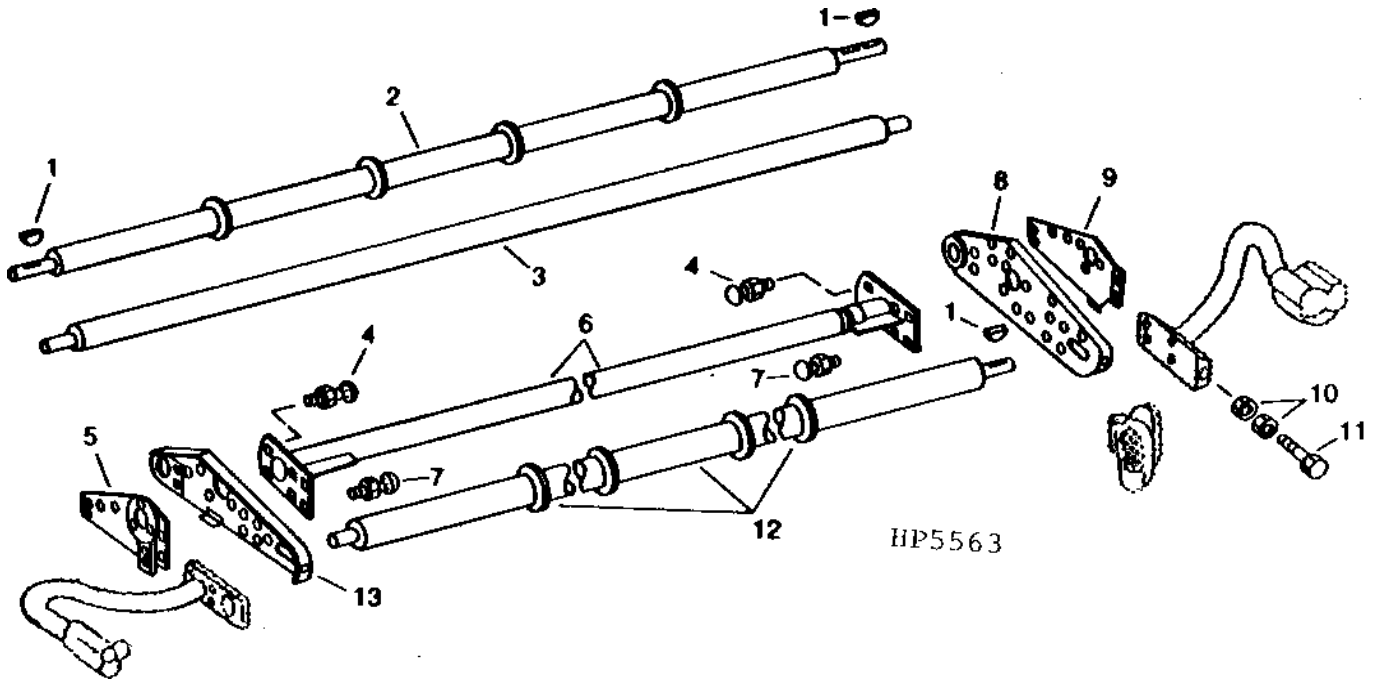


HP5561

KEY	PART NO.	PART NAME	QTY	SERIAL NO.	REMARKS
1	AH132566	WINDSHIELD	1	R.H.	
	AH132567	WINDSHIELD	1	L.H.	
2	19M7775	SCREW	12	M6 X 16	
	14M7397	LOCK NUT	12	M6	

# A12

**DRIVE, CENTER, AND IDLER ROLLERS**  
 HP5563 -UN-01JAN94



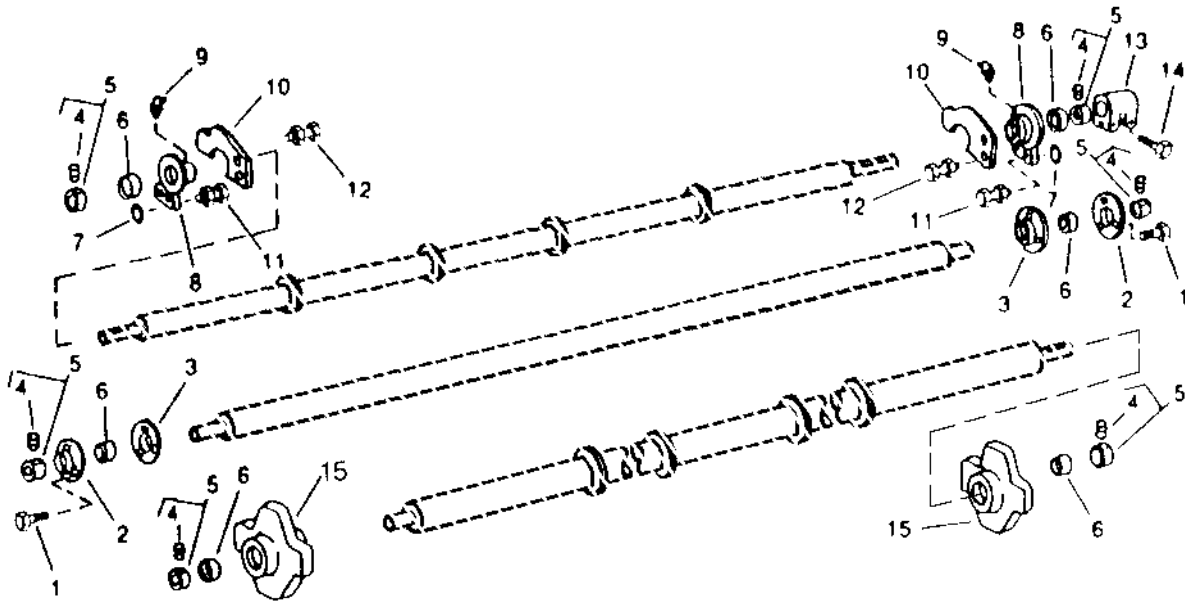
KEY	PART NO.	PART NAME	QTY	SERIAL NO.	REMARKS
1	26H40	SHAFT KEY	3	1/4" X 2-1/8"	
2	AH135591	ROLLER	1	(132")	
	AH135592	ROLLER	1	(154")	
3	AH111516	ROLLER	1	(132")	
	AH111515	ROLLER	1	(154")	
4	03M7186	BOLT	4	M8 X 30	
	14M7298	FLANGE NUT	4	M8	
5	AH165083	REINFORCEMENT	1		
6	AH129269	TUBE	1	(132")	
	AH129270	TUBE	1	(154")	
7	03M7200	BOLT	8	M12 X 40	
	14M7299	FLANGE NUT	8	M12	
8	AH165093	SHEET	1	L.H.	
9	AH165089	REINFORCEMENT	1	L.H.	
10	14H809	NUT	4	1/2"	
11	19H2062	CAP SCREW	2	1/2" X 4"	
12	AH135597	ROLLER	1	(132")	
	AH135598	ROLLER	1	(154")	
13	AH165082	SHEET	1	R.H.	

# A13

## ROLLERS AND SUPPORTS

### SPROCKETS AND BEARINGS FOR DRIVE, CENTER, AND IDLER ROLLERS

HP8876 -UN-29JUL99



HP8876

KEY	PART NO.	PART NAME	QTY	SERIAL NO.	REMARKS
1	19M7784	SCREW	6	M10 X 20	
	12H304	LOCK WASHER	6	3/8"	
2	H135410	PRESSED FLANGED HOUSING	2		WITH GREASE FITTING
3	AH129420	PRESSED FLANGED HOUSING	2		
4	22H897	SET SCREW	6	1/4" X 1/4"	
5	JD8594	ECCENTRIC LOCKING COLLAR	6		
6	JD9397	BALL BEARING	6		
7	24H1219	WASHER	4	7/16" X 1" X 0.083" (132")	
	24H1341	WASHER	8	17/32" X 15/16" X 0.060", (154")	
8	H101594	HOUSING	2		
9	JD7788	LUBRICATION FITTING	2		
10	H118364	CLIP	2		
11	09H1611	BOLT	4	7/16" X 1-3/4" (132")	
	14H813	NUT	8	7/16" (132")	
	H168232	SCREW	4	(154")	
	14H809	NUT	8	1/2", (154")	
12	03M7196	BOLT	4	M10 X 50	
	14M7298	FLANGE NUT	4	M8	
13	H147690	COUPLING	1		
14	19H1765	CAP SCREW	2	3/8" X 1-3/4"	
	12H304	LOCK WASHER	2	3/8"	
15	H102699	HOUSING	2		

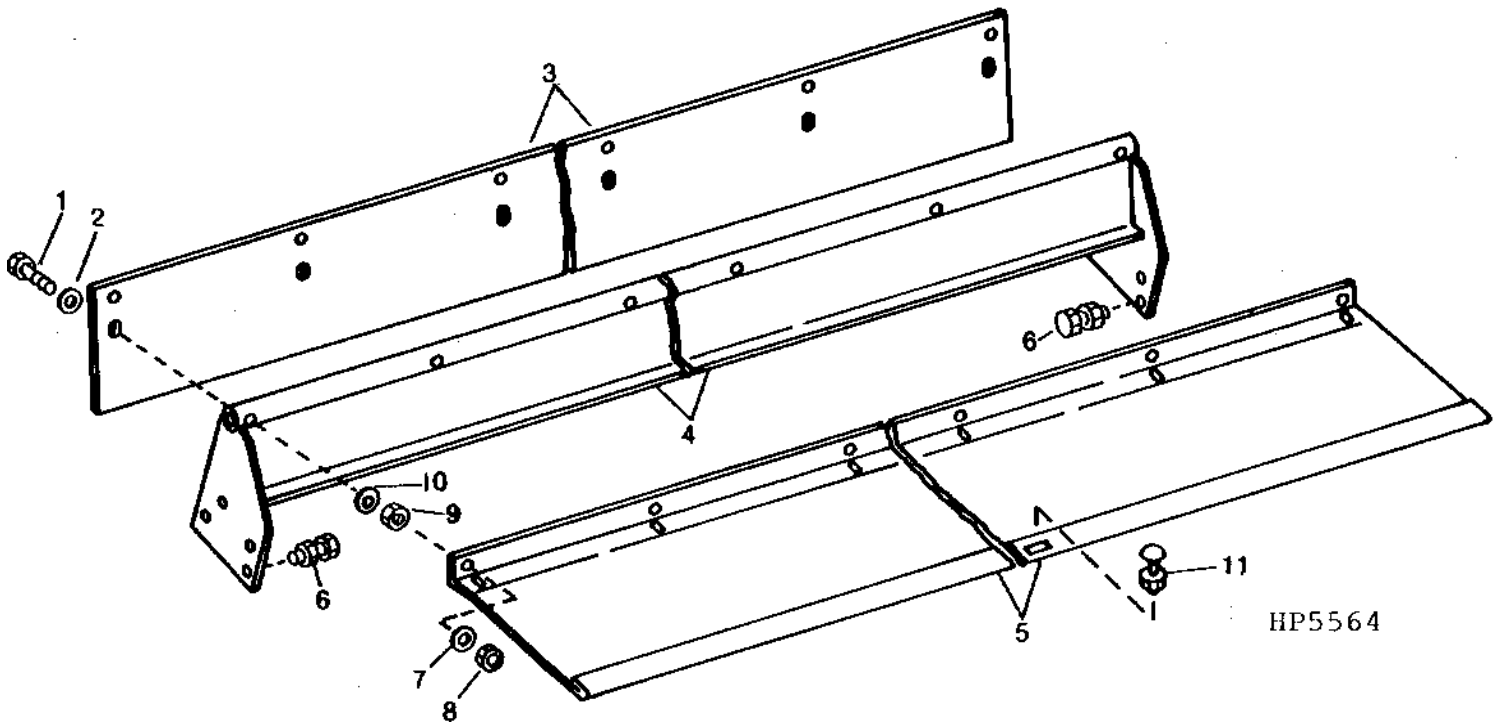
MEMORANDA

THIS PARTS LISTING IS CONTINUED

# A15

FRAME, STRIPPERS, DIVIDERS AND PLATES

STRIPPER (132" BELT PICKUP)  
HP5564 -UN-01JAN94

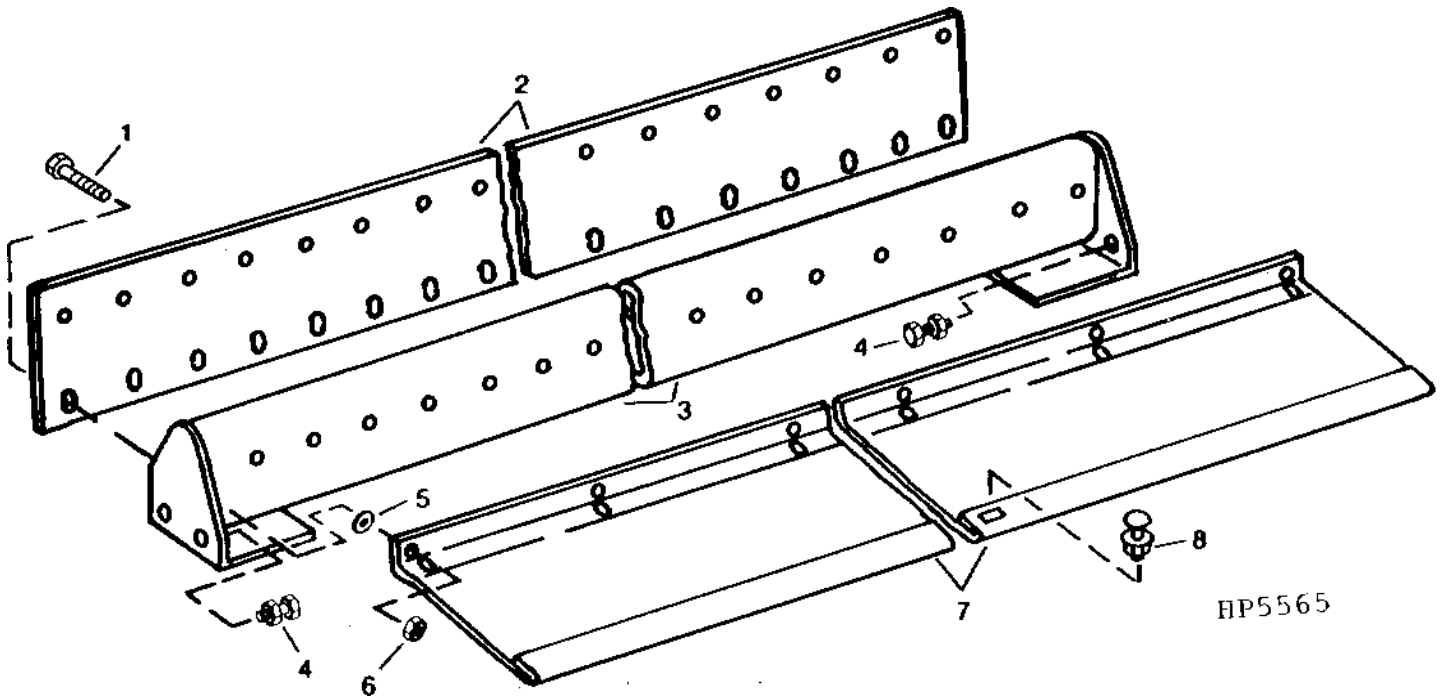


KEY	PART NO.	PART NAME	QTY	SERIAL NO.	REMARKS
1	19M8040	SCREW	AR	M6 X 60	
2	24H1288	WASHER	AR	9/32" X 1" X 1/16"	
3	H85488	FLAP	2	(132")	
4	AH108452	STRIPPER	1	(132")	
5	H137639	SUPPORT	2	(132")	
6	19M7785	SCREW	2	M10 X 25	
7	14M7296	FLANGE NUT	2	M10	
8	12H302	LOCK WASHER	AR	1/4"	
9	14M7397	LOCK NUT	AR	M6	
10	M80082	NUT	AR	6.350 MM (1/4")	
11	24H1287	WASHER	1	9/32" X 5/8" X 0.065"	
	03M7184	BOLT	1	M8 X 20	
	14M7298	FLANGE NUT	1	M8	

# A16

FRAME, STRIPPERS, DIVIDERS AND PLATES

STRIPPER (154" BELT PICKUP)  
HP5565 -UN-01JAN94



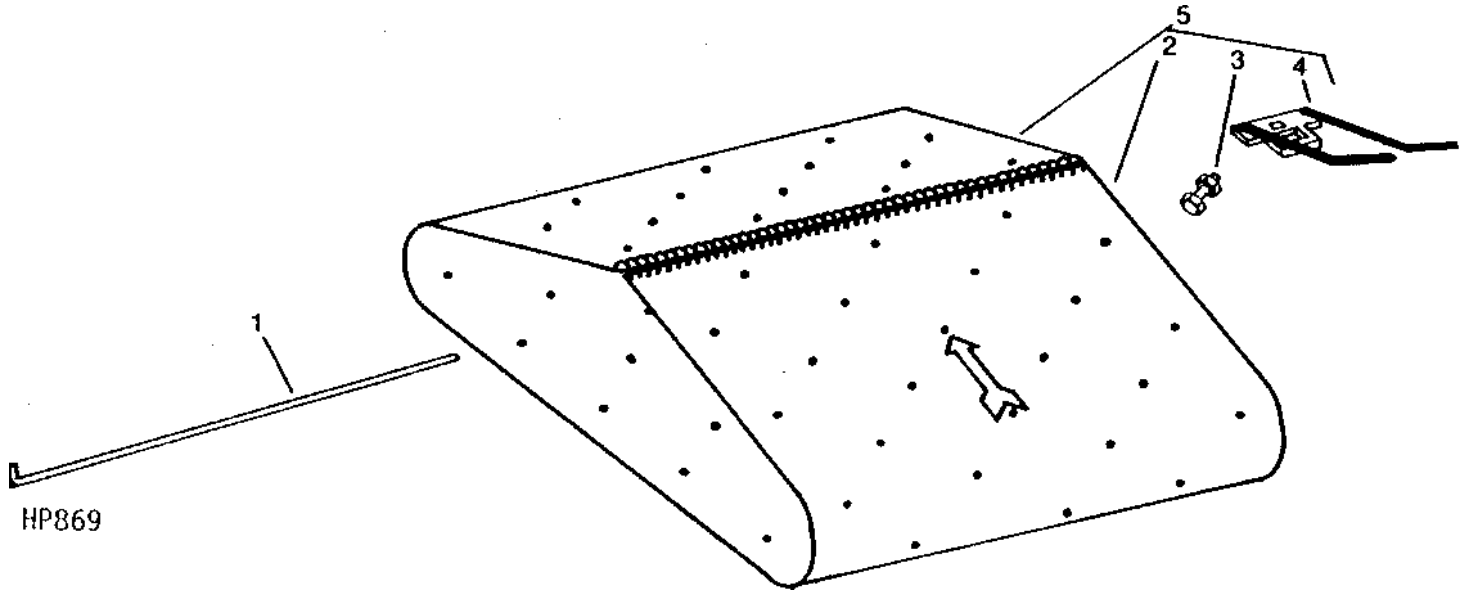
KEY	PART NO.	PART NAME	QTY	SERIAL NO.	REMARKS
1	19M8291	SCREW	15	M8 X 35	
2	H162036	FLAP	2		
3	AH133679	BAR	1		
4	19M7785	SCREW	2	M10 X 25	
	14M7296	FLANGE NUT	2	M10	
5	M84309	NUT	15		
6	14M7396	LOCK NUT	15	M8	
7	H138953	SUPPORT	1		
8	03M7184	BOLT	2	M8 X 20	
	14M7298	FLANGE NUT	2	M8	

# A17

FRAME, STRIPPERS, DIVIDERS AND PLATES

## BELTS AND PLASTIC FINGERS

HP869 -UN-01JAN94

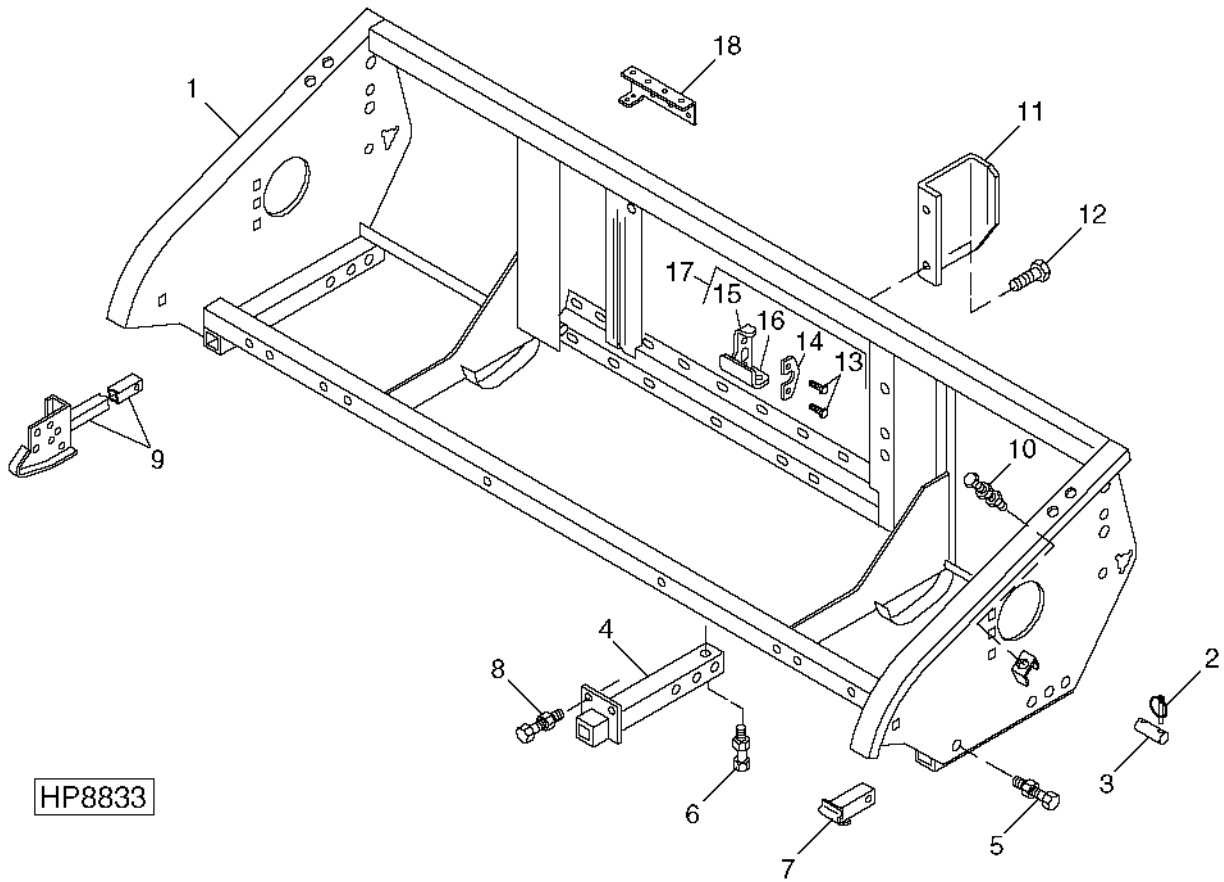


KEY	PART NO.	PART NAME	QTY	SERIAL NO.	REMARKS
1	H154675	PIN	AR		(132"-6 USED; 154" - 7 USED)
2	AH147908	BELT	AR		(132"-6 USED; 154"-7 USED)
3	AH86897	BOLT	AR		(132",-360 USED; AND 154",-420 USED) (10 PER CARTON)
4	H86248	FINGER	AR		(132"-360 USED; AND 154"-420 USED)
5	AH147909	BELT	AR		(132"- 6 USED; AND 154"-7 USED) (22" -7 - UKRAINE PLATFORMS ONLY)

# A18

FRAME, STRIPPERS, DIVIDERS AND PLATES

FRAME AND RUNNERS  
HP8833 -UN-22JUL99



HP8833



# A19

FRAME, STRIPPERS, DIVIDERS AND PLATES

## FRAME AND RUNNERS - CONTINUED

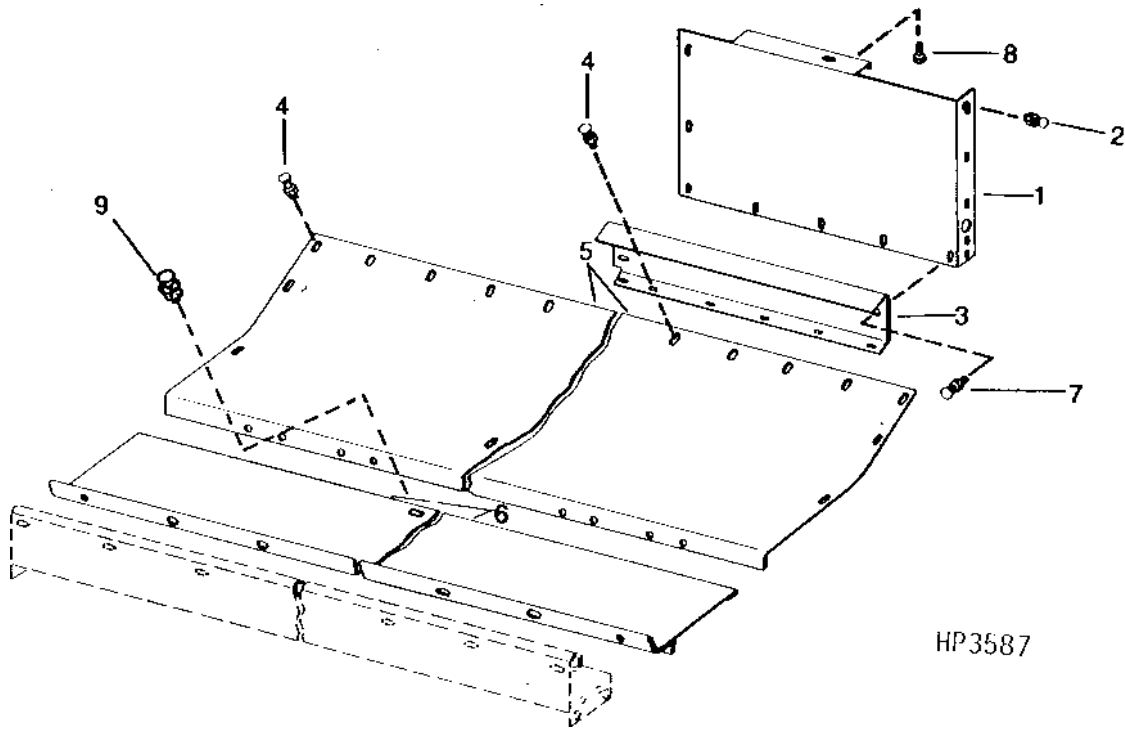
KEY	PART NO.	PART NAME	QTY	SERIAL NO.	REMARKS
1	AH162258	MAIN FRAME	1		
2	AA21292	QUICK LOCK PIN	4		
3	H148930	PIN	2		
4	AH143603	TUBE	2	(132")	
5	19M7820	SCREW	2	M12 X 100	
	14M7299	FLANGE NUT	2	M12 (132")	
6	19M7786	SCREW	2	M10 X 30	
	14M7276	NUT	2	M16	
7	AH89382	RUNNER	1	(132")	
8	19M7812	SCREW	4	M10 X 100	
	14M7296	FLANGE NUT	4	M10	
9	AH113221	SUPPORT	1	R.H. (132")	
	AH111174	SUPPORT	1	R.H. (154")	
	AH113222	SUPPORT	1	L.H. (132")	
	AH111175	SUPPORT	1	L.H. (154")	
10	A50325	SCREW	2	M16 X 80	
	14M7260	NUT	4	M16	
11	H112896	SHIELD	1		
12	37M7083	SCREW	2	M8 X 12	
13	19M7784	SCREW	4	M10 X 20	
14	H137143	PLATE	1		
15	.....	REINFORCEMENT	1		
16	.....	PLATE	1		
17	AH132905	PIN	1	R.H. (LATCH PIN ASSY)	
	AH132906	PIN	1	L.H. (LATCH PIN ASSY)	
18	H134219	STRIPPER	1	L H	
	H134218	STRIPPER	1	R H	

# A20

FRAME, STRIPPERS, DIVIDERS AND PLATES

## BACK SHEETS, BOTTOM SHEET, STRIPPER, AND GRAIN SLIDE

HP3587 -UN-01JAN94



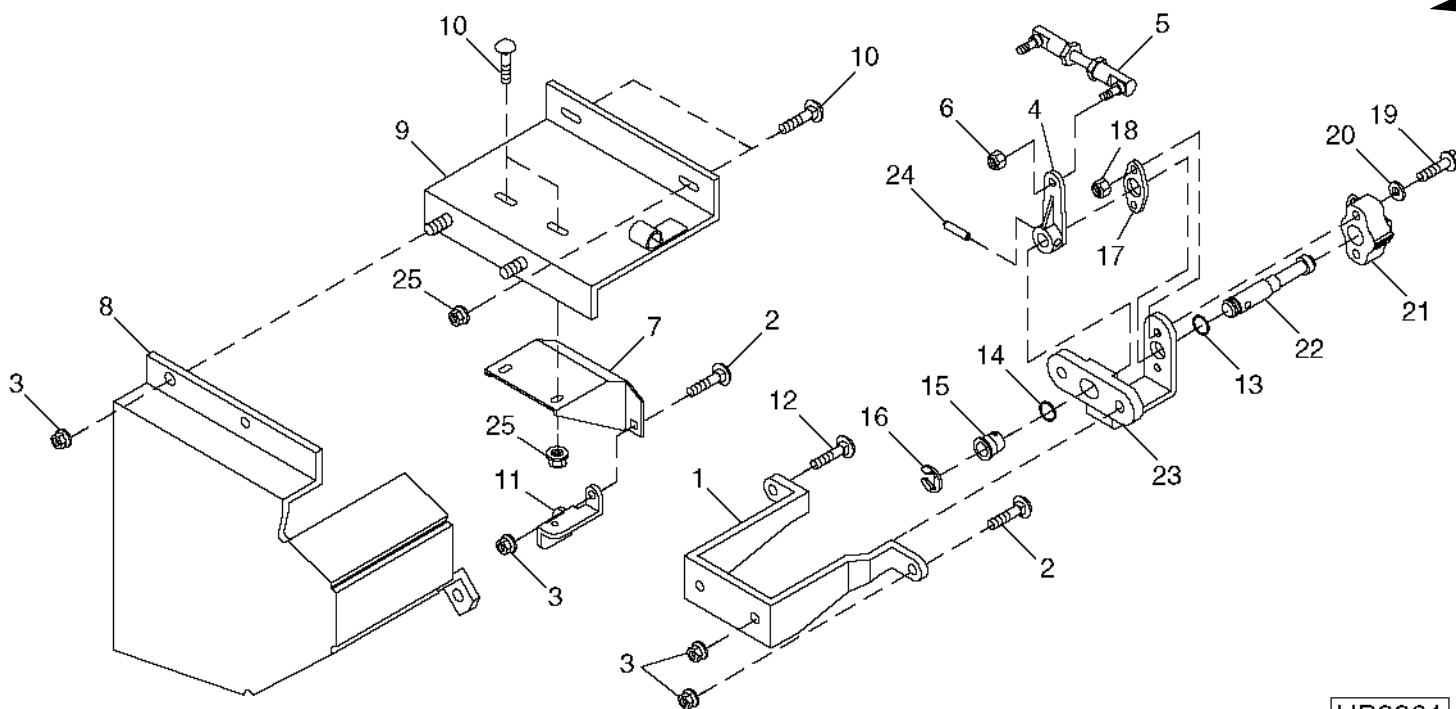
KEY	PART NO.	PART NAME	QTY	SERIAL NO.	REMARKS
1	H168829	SHEET	1	L.H.	
	H147574	SHEET	1	R.H.	
2	03M7184	BOLT	AR	M8 X 20	
	14M7298	FLANGE NUT	AR	M8	
3	H147575	SUPPORT	1	R.H.	
	H92692	STRIPPER	1	L.H.	
4	03M7190	BOLT	AR	M10 X 20	
	14M7296	FLANGE NUT	AR	M10	
5	H149471	SHEET	1		
6	H137639	SUPPORT	1	(132")	
7	03M7184	BOLT	AR	M8 X 20	
	14M7298	FLANGE NUT	AR	M8	
8	37H57	SCREW	2	5/16" X 3/4"	
9	03M7185	BOLT	1	M8 X 25	
	14M7298	FLANGE NUT	1	M8	

# A22

## HEADER HEIGHT CONTROL

### AUTOMATIC HEIGHT CONTROL SENSOR, LINKAGE AND HANGER

(685056- )  
 HP8864 -UN-30JUL99



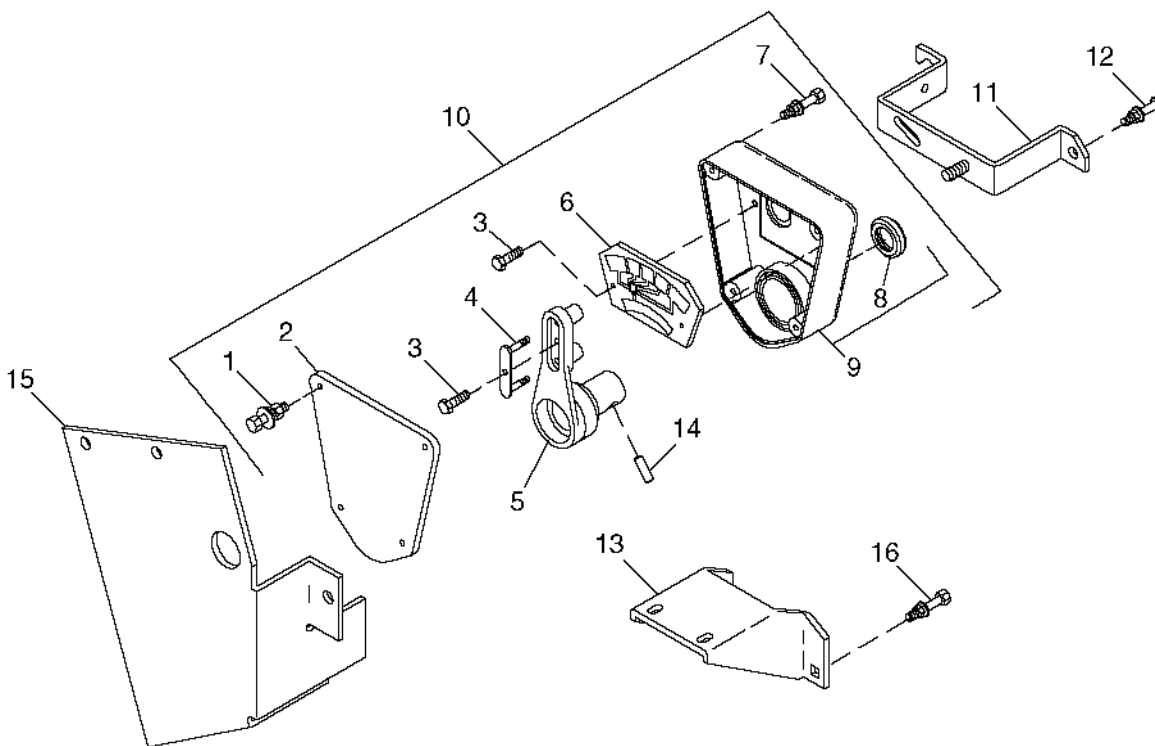
HP8864

KEY	PART NO.	PART NAME	QTY	SERIAL NO.	REMARKS
1	H163280	HANGER	1		
2	03M7184	BOLT	AR	M8 X 20	
3	14M7298	FLANGE NUT	AR	M8	
4	H166313	LEVER	1		
5	AH159809	LINKAGE	1		
6	14M7397	LOCK NUT	2	M6	
7	H76321	BRACKET	1		
8	H163282	SHIELD	1		
9	AH143755	SHIELD	1		
10	03M7221	BOLT	4	M6 X 16	
11	H163281	BRACKET	1		
12	03M7186	BOLT	1	M8 X 30	
13	R112679	SEAL	1		
14	P48347	O-RING	1		
15	R41076	GROMMET	1		
16	R26871	SNAP RING	1		
17	R86457	SUPPORT	1		
18	14M7297	NUT	2	M5	
19	21M7261	SCREW	2	M5 X 45	
20	12M7060	WASHER	2	5.300 MM	
21	RE69297	SENSOR	1		
22	R111692	SHAFT	1		
23	H156936	BRACKET	1		
24	34H305	SPRING PIN	1	7/32" X 2"	
25	14M7303	FLANGE NUT	4	M6	

# A23

**SENSING BOX, MOUNTING AND WIRING HARNESS, DIAL-A-MATIC HEADER HEIGHT CONTROL  
FOR CONVERSION TO 16-PIN CONNECTOR**

HP9012 -UN-08SEP99



HP9012

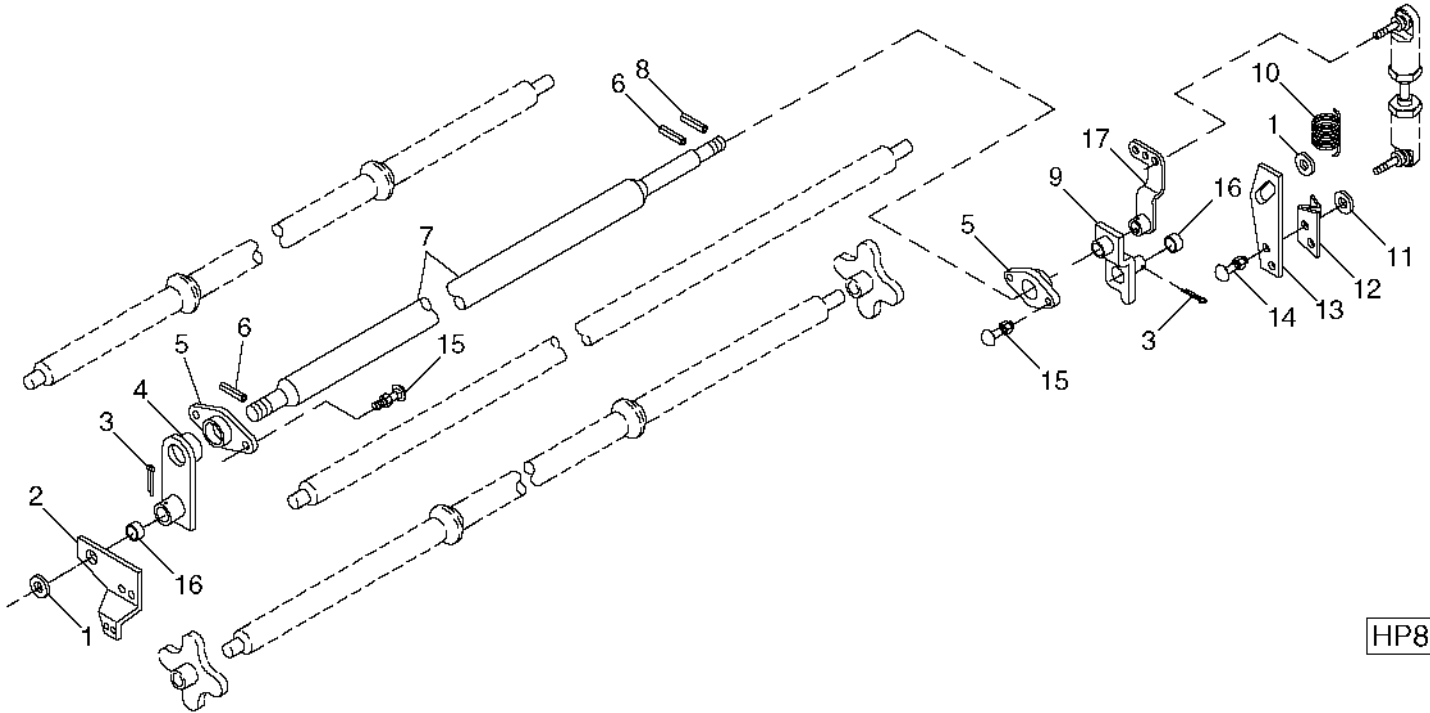
KEY	PART NO.	PART NAME	QTY	SERIAL NO.	REMARKS
1	03M7280	BOLT	1	M6 X 45	
	12H302	LOCK WASHER	1	6.350 MM	
	14M7303	FLANGE NUT	1	M6	
2	.....	COVER	1		
3	37H6	SCREW	3		
4	AH103276	BRUSH	1		
5	.....	ARM	1		
6	AH111184	PRINTED CIRCUIT	1		
7	03M7280	BOLT	3	M6 X 45	
	14M7303	FLANGE NUT	3	M6	
8	AA5607R	SEAL	1		
9	.....	HOUSING	1	(INCLUDES H108957)	
	H108957	HOUSING	1		
10	AH143851	CIRCUIT BOX	1		
11	AH145770	BRACKET	1		
12	03M7184	BOLT	2	M8 X 20	
	14M7298	FLANGE NUT	2	M8	
13	H76321	BRACKET	1		
14	34H312	SPRING PIN	1	1/4" X 1"	
15	H113773	SHIELD	1	R.H.	
16	03M7184	BOLT	2	M8 X 20	
	14M7298	FLANGE NUT	2	M8	
..	H116160	SEALANT	1	3 OZ. TUBE	
..	AH164793	WIRING HARNESS	1	ADAPTOR, 31 PIN HEAD TO 16 PIN COMBINE	
..	AH164794	WIRING HARNESS	1	ADAPTOR, DIAL-A-MATIC	

# A24

HEADER HEIGHT CONTROL

**AUTOMATIC HEIGHT CONTROL SHAFT, BEARINGS AND BRACKETS (OPTIONAL)**

(685056- )  
 HP8863 -UN-29JUL99



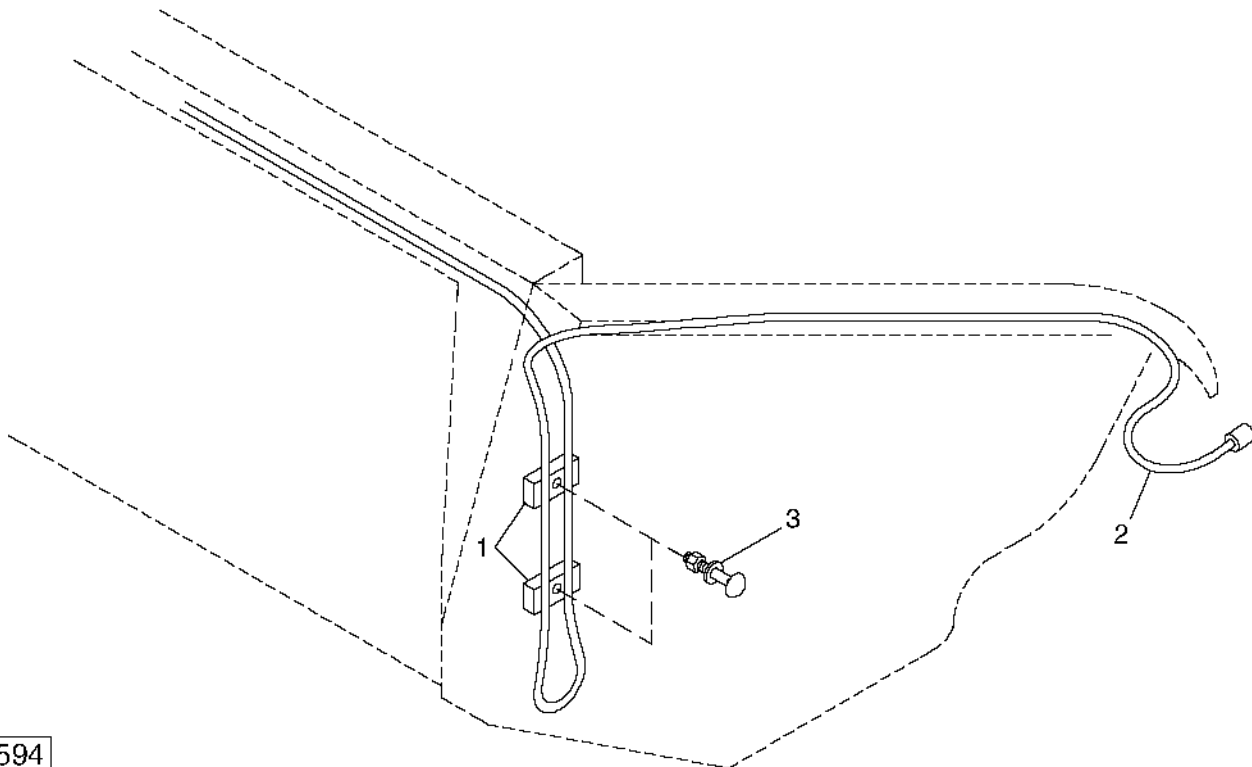
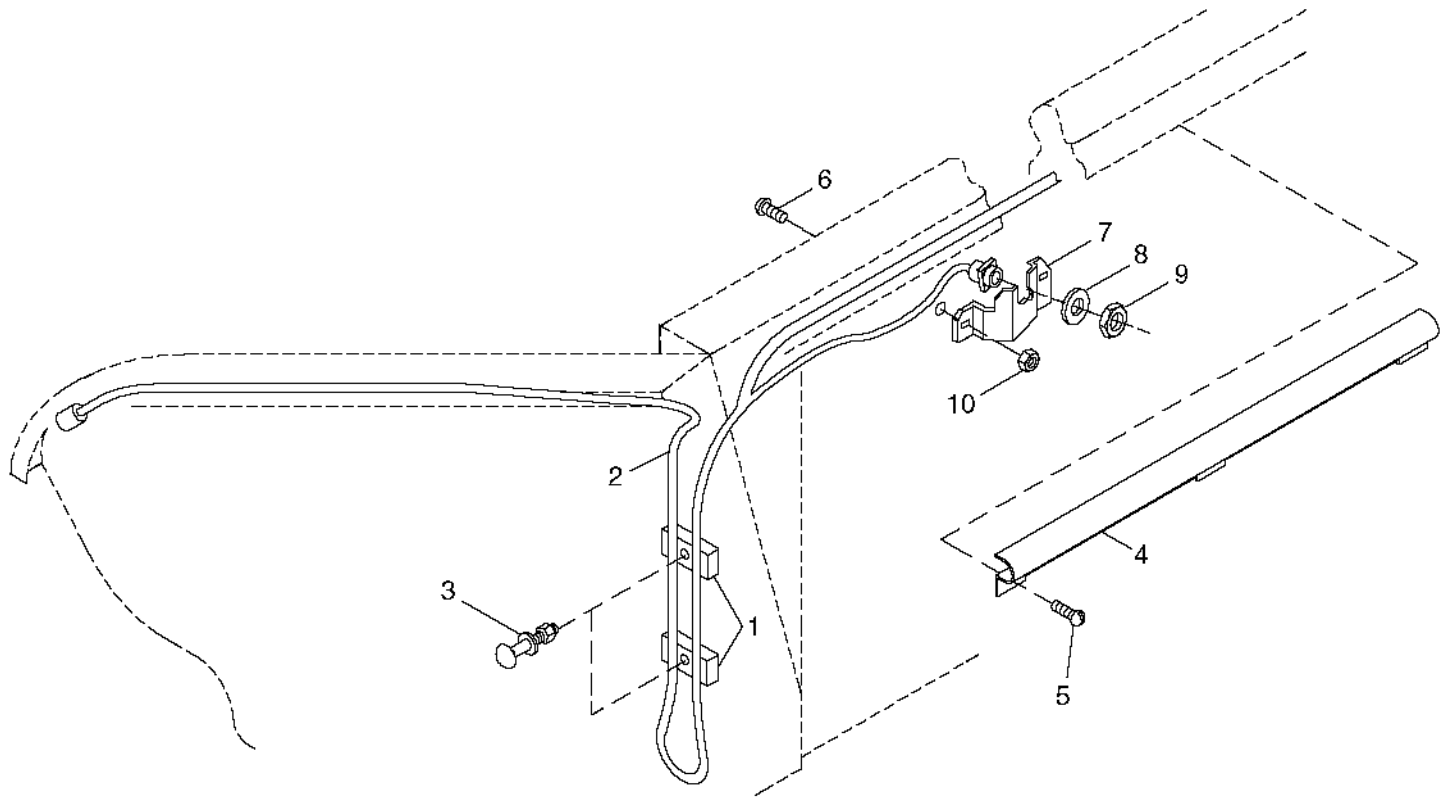
HP8863

KEY	PART NO.	PART NAME	QTY	SERIAL NO.	REMARKS
1	24H1307	WASHER	2	-685452	13/32" X 1" X 1/16"
	24M7178	WASHER	2		10.500 X 30 X 2.500 MM
2	AH114995	ARM	1		L.H.
3	J16931	SPRING LOCKING PIN	2	-685452	
	11M7082	COTTER PIN	2		2.500 X 25 MM
4	AH111383	ARM	1		L.H.
5	AH129236	BEARING	2		
6	34H314	SPRING PIN	2		1/4" X 1-1/4"
7	AH113219	SHAFT	1		(132")
	AH111162	SHAFT	1		(154")
8	34H312	SPRING PIN	1		1/4" X 1"
9	AH165002	ARM	1		
10	H135672	EXTENSION SPRING	1		
11	24H1305	WASHER	1		13/32" X 13/16" X 0.065"
12	H171071	ARM	1		R.H.
13	H118363	ARM	1		R.H.
14	03M7191	BOLT	2		M10 X 25
	12H304	LOCK WASHER	2		3/8"
	14M7274	NUT	2		M10
15	03M7184	BOLT	4		M8 X 20
	14M7298	FLANGE NUT	4		M8
16	N100859	WASHER	2		10.312 X 19.050 X 6.350 MM (13/32" X 3/4" X 1/4")
17	AH167062	ARM	1		

# B1

## WIRING HARNESS, AUTOMATIC HEIGHT CONTROL (OPTIONAL)

HP9594 -UN-24FEB00



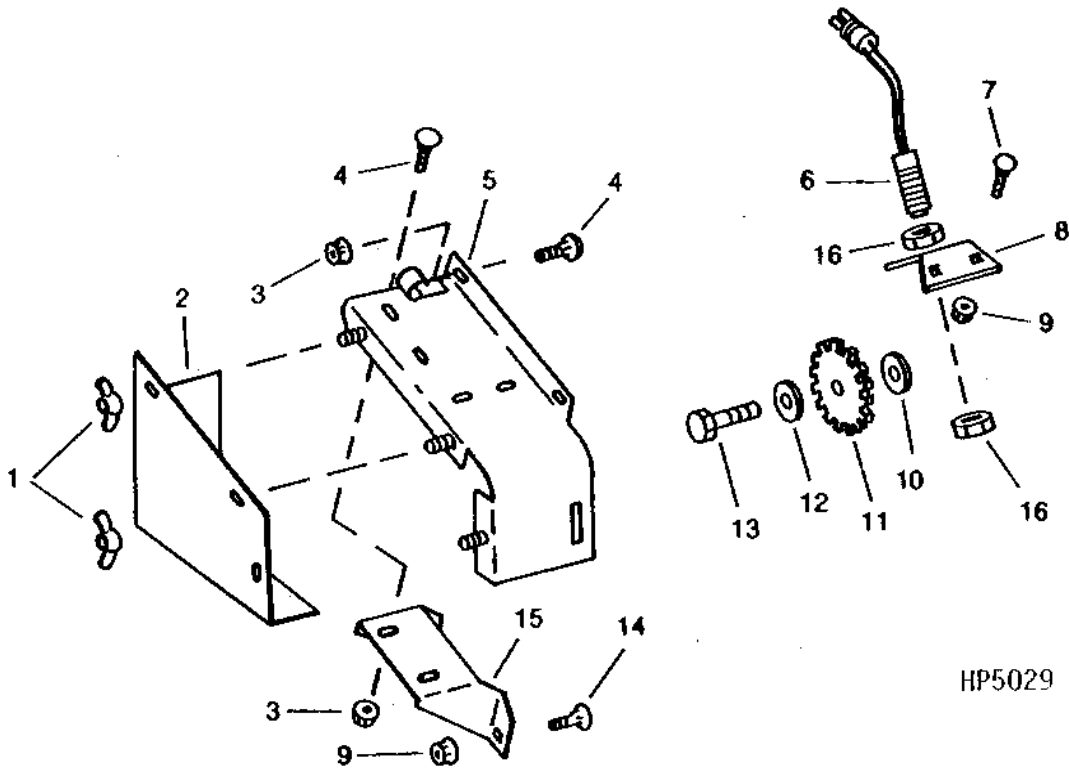
HP9594

WIRING HARNESS, AUTOMATIC HEIGHT CONTROL (OPTIONAL) - CONTINUED

KEY	PART NO.	PART NAME	QTY	SERIAL NO.	REMARKS
1	H120847	CLAMP	4		
2	AH164783	WIRING HARNESS	1		31-PIN(LESS DAS/DAM)
	AH161718	WIRING HARNESS	1		31-PIN(WITH DAS/DAM)
3	03M7294	BOLT	4		M6 X 40
	24H1685	WASHER	4		8.738 X 18.644 X 2.108 MM
	14M7303	FLANGE NUT	4		M6
4	H132700	SHIELD	1		
5	37M7066	SCREW	2		
6	03M7185	BOLT	2		M8 X 25
7	H168828	BRACKET	1		
8	57M7765	LOCK WASHER	1		
9	57M8035	NUT	1		
10	14M7298	FLANGE NUT	2		M8
..	R44302	TIE BAND	3		USE TO TIE UP EXCESS HARNESS

# B3

AUTO BELT SPEED  
HP5029 -UN-01JAN94



HP5029



# B4

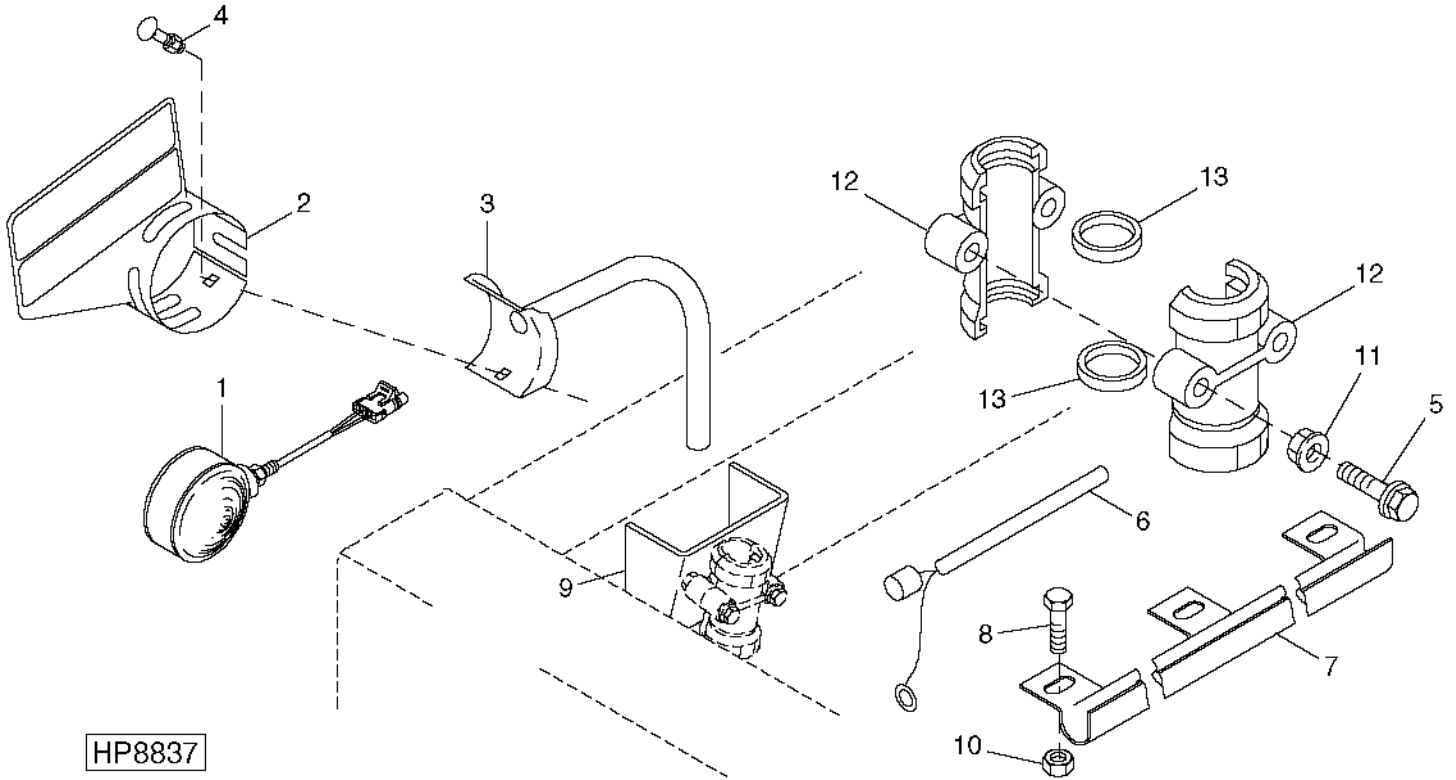
**AUTO BELT SPEED - CONTINUED**

KEY	PART NO.	PART NAME	QTY	SERIAL NO.	REMARKS
1	14M7020	WING NUT	4		
2	H141331	SHIELD	1		M8
3	14M7303	FLANGE NUT	2		M6
4	03M7221	BOLT	2		M6 X 16
5	AH143756	SHIELD	1		
6	AH116104	SENSOR	1		
7	03M7184	BOLT	2		M8 X 20
8	H129216	BRACKET	1		
9	14M7298	FLANGE NUT	4		M8
10	GY2125W	WASHER	1		
11	H141220	CHAIN SPROCKET	1		23 TOOTH
12	12H236	LOCK WASHER	1		3/4"
13	19H1871	CAP SCREW	1		3/4" X 1-1/4"
14	03M7184	BOLT	2		M8 X 20
15	H76321	BRACKET	1		
16	H104418	NUT	1		

# B5

**MARKER LIGHTS**

HP8837 -UN-21JUL99



HP8837

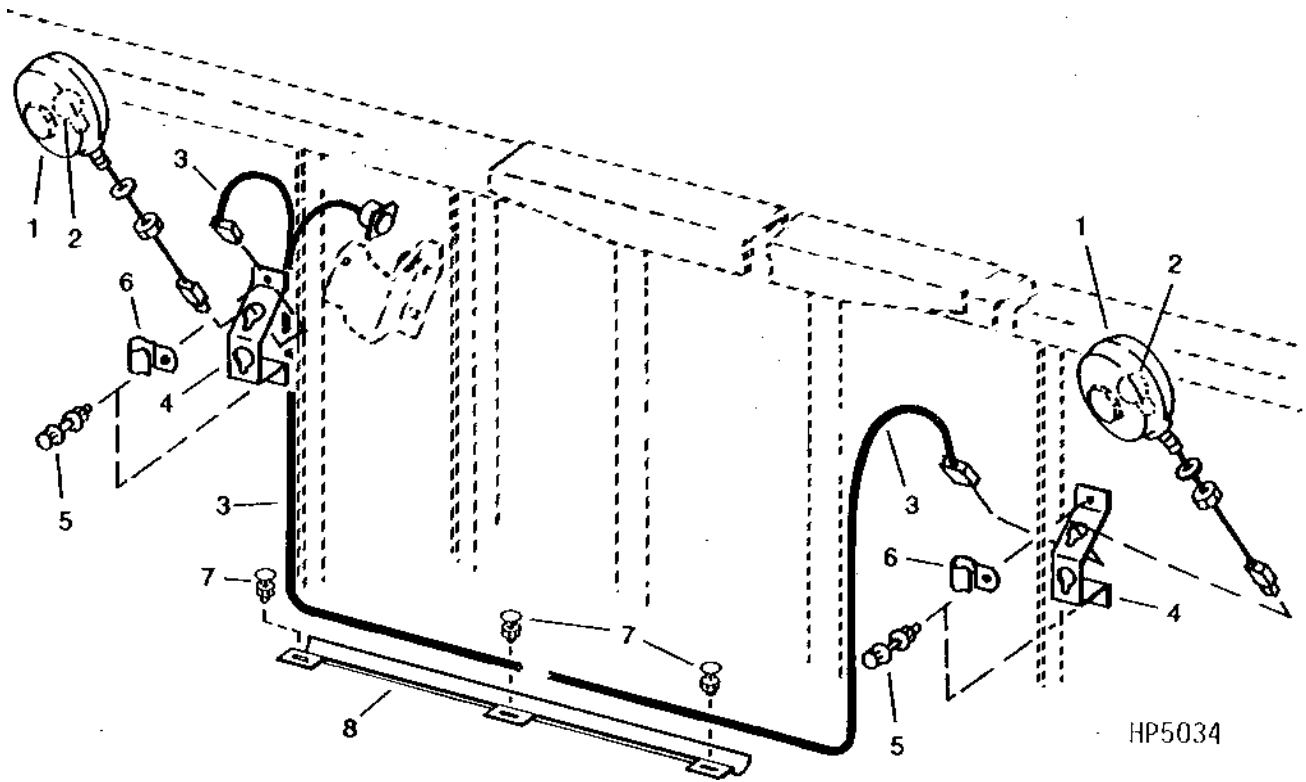
KEY	PART NO.	PART NAME	QTY	SERIAL NO.	REMARKS
1	AH164497	LAMP	2		
	R78053	PIN CONTACT CONNECTOR BODY	2		
2	AH163087	SHIELD	2		R.H.
	AH163088	SHIELD	2		L.H.
3	AH155215	BRACKET	2		R.H.
	AH155216	BRACKET	2		L.H.
4	03M7183	BOLT	8		M8 X 16
	14M7298	FLANGE NUT	4		M8
5	19M7867	SCREW	4		M8 X 25
6	AH161718	WIRING HARNESS	1	685056-	(31 PIN) USE WITH DIAL-A-MATIC AND DIAL-A-SPEED
7	H142185	SHIELD	1		
8	03M7190	BOLT	3		M10 X 20
9	AH155397	BRACKET	2		
10	14M7296	FLANGE NUT	3		M10
11	14M7298	FLANGE NUT	4		M8
12	H161618	HOUSING	2		
13	H136110	ISOLATOR	2		

# B6

HEADER HEIGHT CONTROL

## STUBBLE LIGHTS

HP5034 -UN-01JAN94



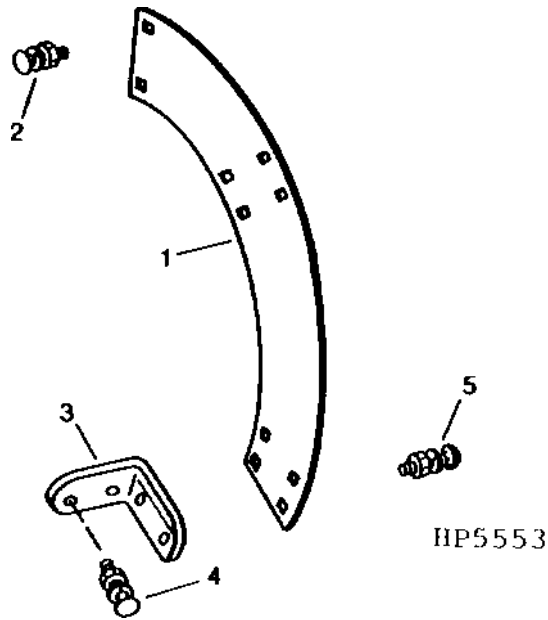
KEY	PART NO.	PART NAME	QTY	SERIAL NO.	REMARKS
1	AH164499	LAMP	2		
	R78061	PIN CONTACT	2		
2	AD2062R	BULB	2		
3	AH134252	WIRING HARNESS	1		FIELD CONVERSION ONLY
	AN152467	CONNECTOR	1		FIELD CONVERSION HARNESS ONLY
4	H137423	BRACKET	2		
5	19M7775	SCREW	4	M6 X 16	
	14M7303	FLANGE NUT	2	M6	
6	AH89557	CLIP	2		
7	03M7190	BOLT	3	M10 X 20	
	14M7296	FLANGE NUT	3	M10	
8	H142185	SHIELD	1		

MEMORANDA

THIS PARTS LISTING IS CONTINUED

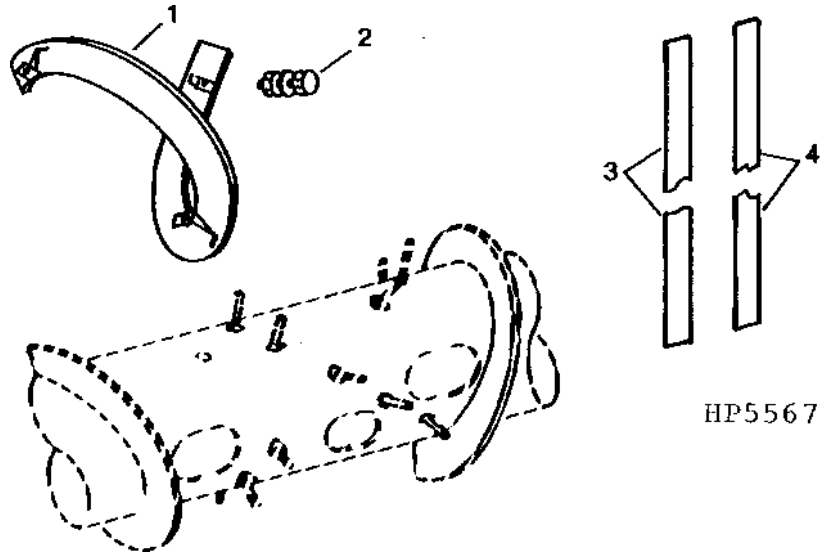
# B8

AUGER FLIGHT EXTENSIONS  
HP5553 -UN-01JAN94



KEY	PART NO.	PART NAME	QTY	SERIAL NO.	REMARKS
1	H145952	FLIGHT	1	R.H.	
	H145953	FLIGHT	1	L.H.	
2	03M7184	BOLT	4	M8 X 20	
	14M7298	FLANGE NUT	4	M8	
3	H145998	GUSSET	2	L.H.	
	H145997	GUSSET	2	R.H.	
4	19M7323	CAP SCREW	8	M8 X 40	
	24H1308	WASHER	16	13/32" X 1" X 0.134"	
	12M7065	LOCK WASHER	8	8.100 MM (0.319")	
	14M7298	FLANGE NUT	8	M8	
5	03M7186	BOLT	8	M8 X 30	
	14M7298	FLANGE NUT	8	M8	

**WINDROW SPREADER ATTACHMENT**  
HP5567 -UN-01JAN94



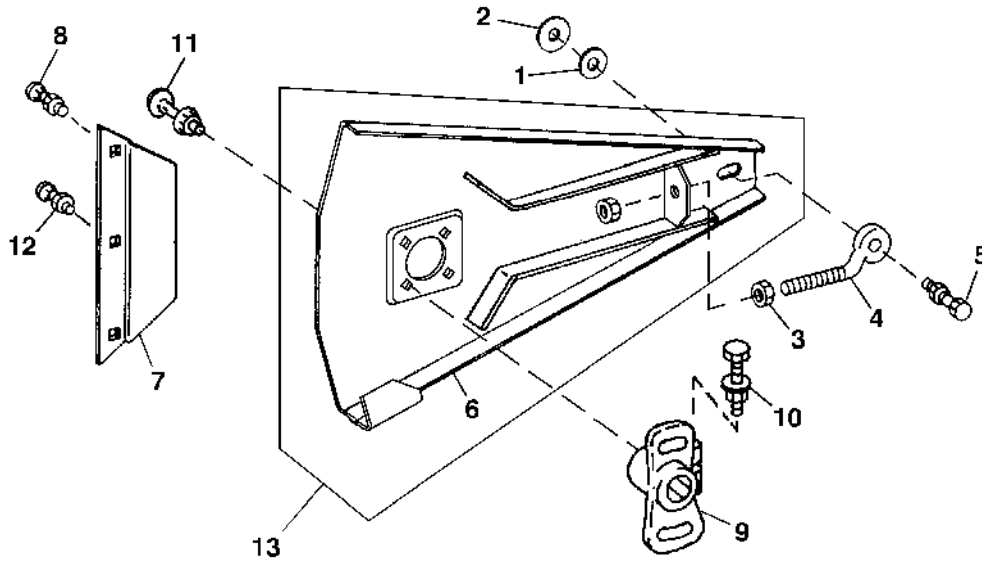
HP5567

KEY	PART NO.	PART NAME	QTY	SERIAL NO.	REMARKS
1	AH134128	EXTENSION	1	(R.H.)	
	AH134129	EXTENSION	1	(L.H.)	
2	19M7786	SCREW	12	M10 X 30	
	24H1308	WASHER	12	13/32" X 1" X 0.134"	
	14M7296	FLANGE NUT	12	M10	
3	H131666	TAPE	2	(YELLOW) (600MM X 25MM)	
4	H131668	TAPE	2	(WHITE) (600MM X 25MM)	

# B10

AUGER AND DRIVE

**AUGER ADJUSTMENT BRACKETS**  
 HP8378 -UN-21JUL99

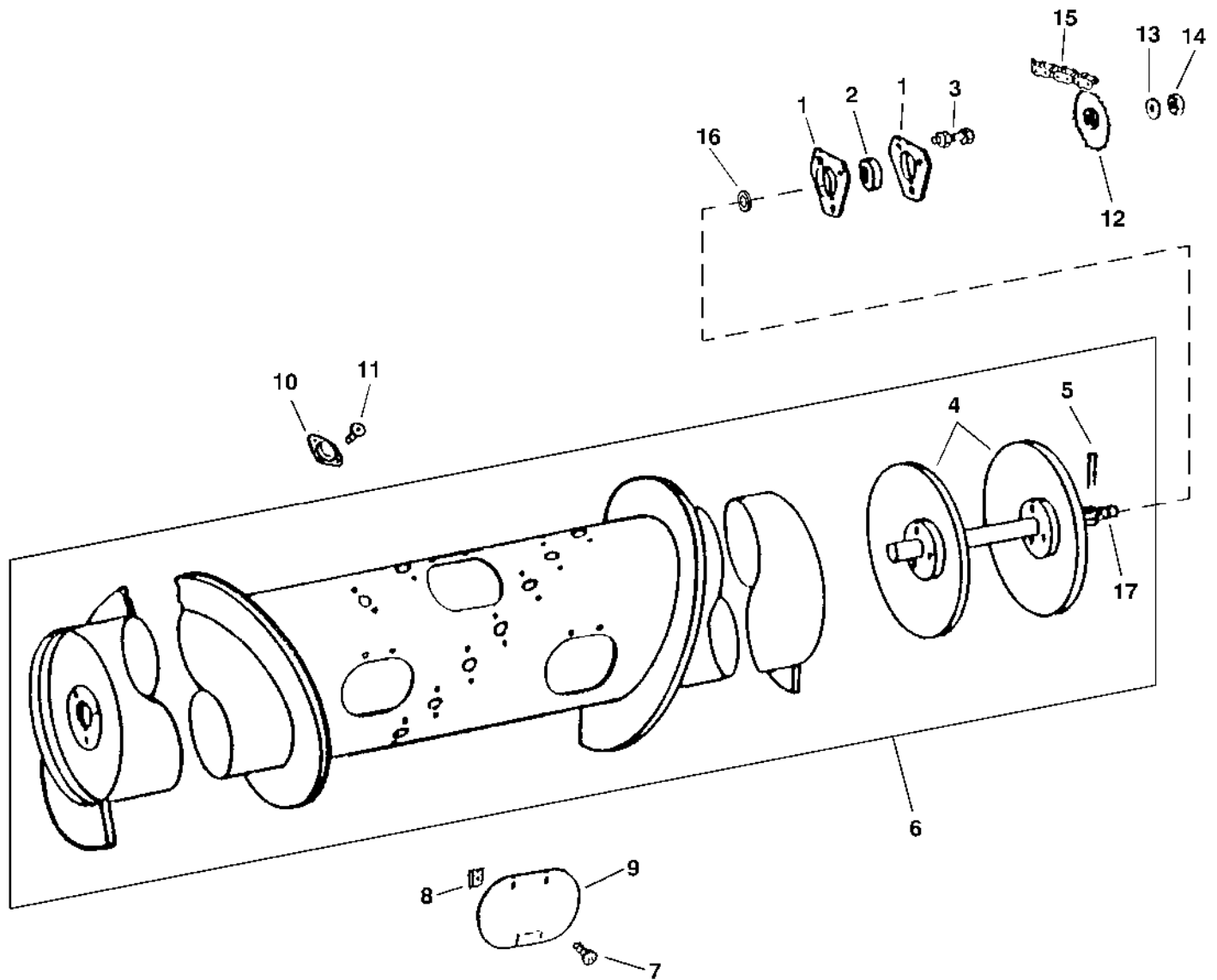


HP8378

KEY	PART NO.	PART NAME	QTY	SERIAL NO.	REMARKS
1	24H1272	WASHER	2	9/16" X 1-1/4" X 1/4"	
2	24H1346	WASHER	2	17/32" X 1-3/4" X 0.120"	
3	14M7291	FLANGE NUT	4	M16	
4	H147697	EYEBOLT	2		
5	19M7791	SCREW	2	M12 X 40	
	14M7299	FLANGE NUT	2	M12	
6	AH148908	BRACKET	1	R.H. (914)	
7	H87994	PLATE	2		
8	03M7190	BOLT	4	M10 X 20	
	14M7296	FLANGE NUT	4	M10	
9	H149441	SUPPORT	1	L.H.	
10	19M7807	SCREW	1	M10 X 60 L.H.	
	14M7400	LOCK NUT	1	M10 L.H.	
11	03M7198	BOLT	2	M12 X 30 L.H.	
	14M7299	FLANGE NUT	2	M12 L.H.	
12	03M7192	BOLT	2	M10 X 30	
	14M7296	FLANGE NUT	2	M10	
13	AH149332	KIT	1		

# B11

CROSS AUGER AND SHAFT  
HP8839 -UN-29JUL99



HP8839



# B12

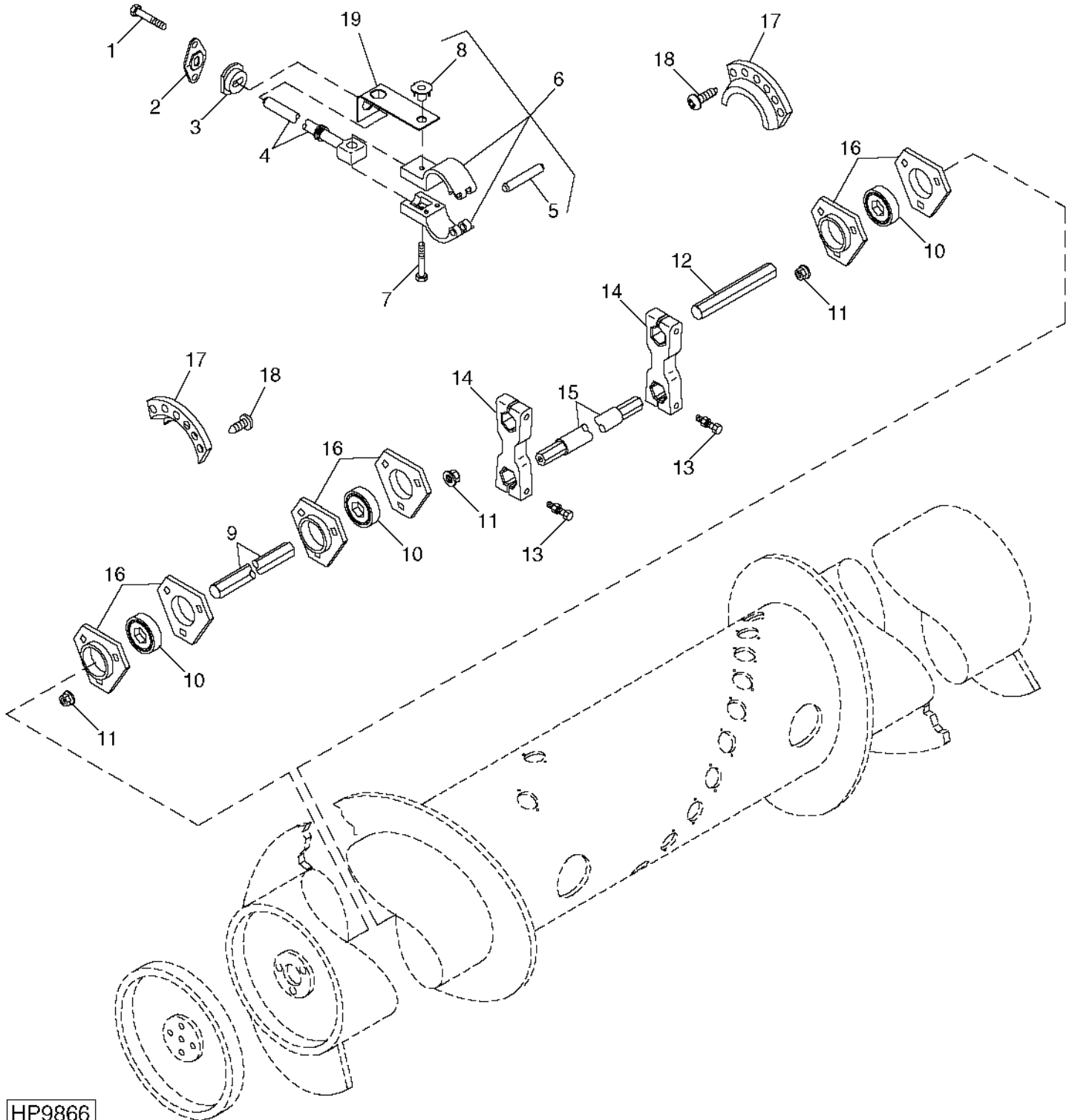
AUGER AND DRIVE

**CROSS AUGER AND SHAFT - CONTINUED**

KEY	PART NO.	PART NAME	QTY	SERIAL NO.	REMARKS
1	H161529	PRESSED FLANGED HOUSING	2		
2	AN102010	BEARING	1		
	AE37204	BEARING	1		
3	03M7197	BOLT	4	M12 X 25	
	14M7299	FLANGE NUT	4	M12	
4	AH148572	AUGER	1		
5	11M7028	COTTER PIN	1	5 X 32 MM	
6	AH159420	AUGER	1		
7	19M7775	SCREW	2	M6 X 16	
8	M84972	NUT	2		
9	H136046	COVER	3		
10	H87193	COVER	AR		
11	H86918	SCREW	AR		
12	AH148573	CHAIN SPROCKET	1		
13	24H1399	WASHER	1	25/32" X 1-5/8" X 0.180"	
14	14H912	NUT	1	3/4"	
15	AE31626	LINK CHAIN	1	ROLLER, TYPE 60, 3/4" PITCH, 90 LINKS	
16	T29049	WASHER	1		
17	AH148576	DRIVE SHAFT	1		

# B13

**CROSS AUGER BEARINGS, SHAFTS, AND FINGERS**  
HP9866 -UN-28JUN00



HP9866

# B14

AUGER AND DRIVE

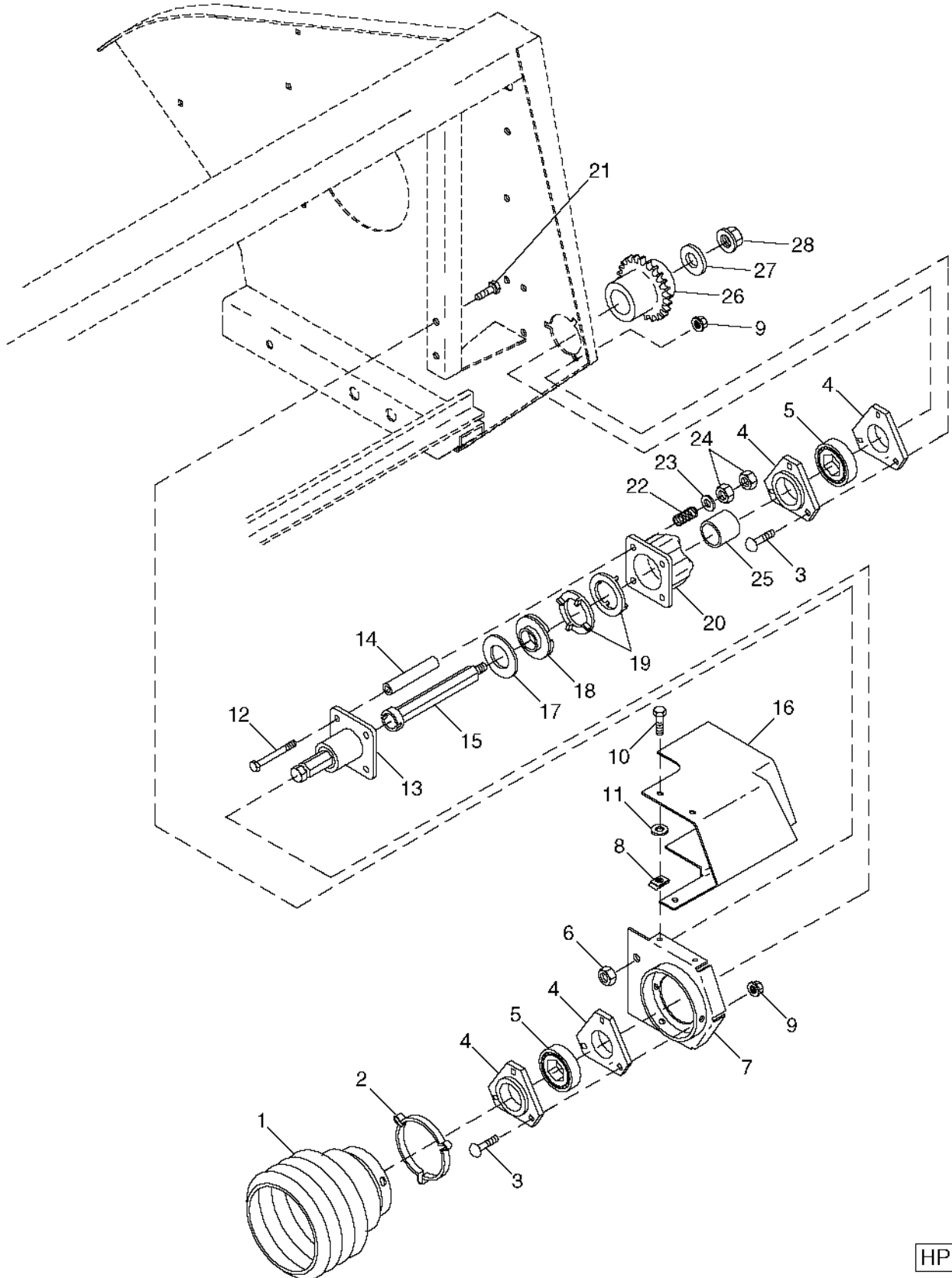
**CROSS AUGER BEARINGS, SHAFTS AND FINGERS - CONTINUED**

KEY	PART NO.	PART NAME	QTY	SERIAL NO.	REMARKS
1	H86918	SCREW	46		
2	H87192	CAP	23		
3	H87044	GUIDE	23		
4	H162662	FINGER	23		
5	34H318	SPRING PIN	23		1/4" X 1-7/8"
6	AH164128	SUPPORT	23		
7	19M8318	SCREW	23	-XXXXXX	M8 X 45
	19M8319	SCREW	23	XXXXXX-	M8 X 50
	14M7396	LOCK NUT	23	XXXXXX-	M8, USE WITH RETAINER
8	H169205	NUT	1	-XXXXXX	
9	H135059	SHAFT	1		
10	AN102010	BEARING	3		
11	14M7296	FLANGE NUT	9		M10
12	H165099	BAR	1		
13	03M7380	BOLT	4		M12 X 70
	H137329	LOCK NUT	4		M12
14	H174360	CRANK	2		
15	H166762	SHAFT	1		
16	H103265	PRESSED FLANGED HOUSING	6		
17	Z20383	DEFLECTOR	1		L.H.
	Z20384	DEFLECTOR	1		R.H.
18	37M7058	SCREW	8		M8 X 20
19	H174947	RETAINER	23		MUST BE USED WITH H174360 CRANKS

# B15

## BACKSHAFT

HP8949 -UN-25AUG99



HP8949

# B16

AUGER AND DRIVE

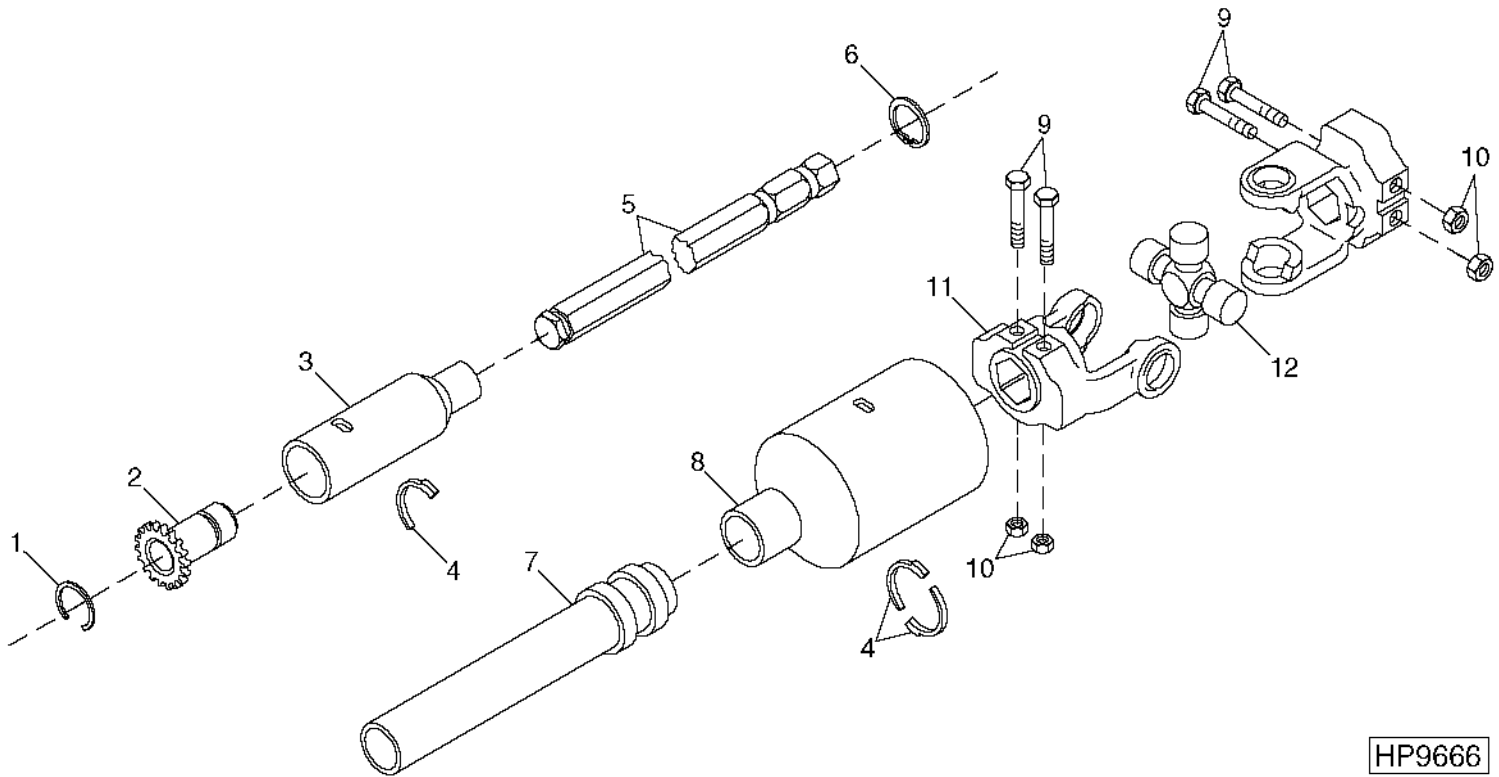
**BACKSHAFT - CONTINUED**

KEY	PART NO.	PART NAME	QTY	SERIAL NO.	REMARKS
1	H168297	SHIELD	1		
2	H168246	RING	1		
3	03M7190	BOLT	6	M10 X 20	
4	H103265	PRESSED FLANGED HOUSING	4		
5	AN102010	BEARING	2		
6	E80242	LOCK NUT	2		
7	AH162186	BRACKET	1		
8	M84971	NUT	3		
9	14M7296	FLANGE NUT	6	M10	
10	19M7866	SCREW	3	M8 X 20	
11	24M7207	WASHER	3	8.400 X 24 X 2 MM	
12	03M7333	BOLT	4	M10 X 110	
13	AH141157	SHAFT	1		
14	H87206	SPACER	4		
15	AH166278	SHAFT	1		
16	H169495	SHIELD	1		
17	H89524	WASHER	1		
18	H135241	FORGING	1		
19	H136032	SLIP CLUTCH	2		
20	H89525	RETAINER	1		
21	19M7364	CAP SCREW	2	M12 X 80	
22	H77433	SPRING	4		
23	24H1653	WASHER	4	13/32" X 1-1/4" X 0.120"	
24	H148345	LOCK NUT	4		
25	H172105	SLEEVE	1		
26	AH138180	CHAIN SPROCKET	1		
27	24H1399	WASHER	1	25/32" X 1-5/8" X 0.180"	
28	A31870	LOCK NUT	1		

# B17

AUGER AND DRIVE

**BACK SHAFT ADAPTOR  
NEW HEADS TO OLD LEVEL LAND COMBINES**  
HP9666 -UN-06APR00



HP9666

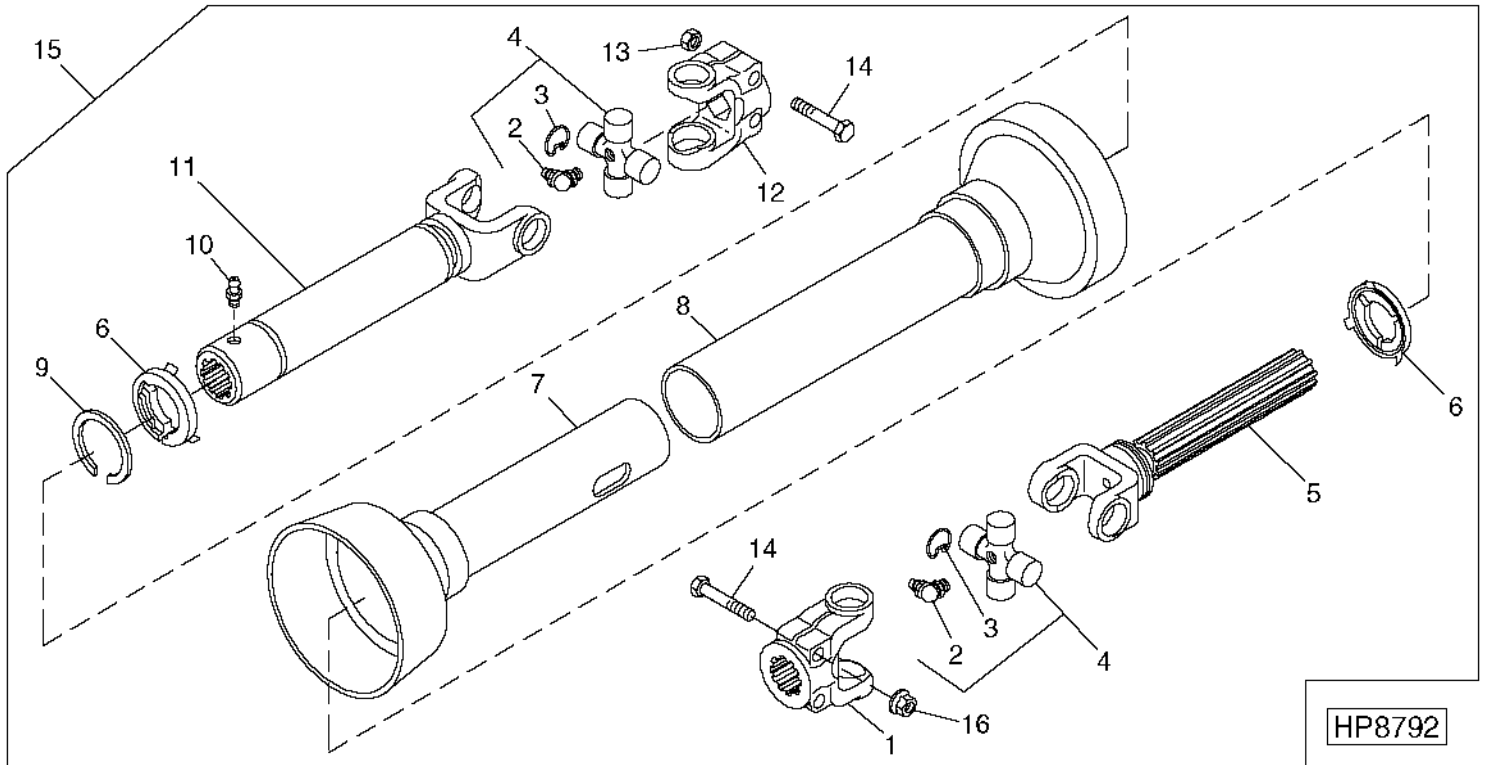
KEY	PART NO.	PART NAME	QTY	SERIAL NO.	REMARKS
1	H80926	SNAP RING	1		
2	AH91784	CHAIN SPROCKET	1		
3	H93439	SHIELD	1		
4	E62951	UNIVERSAL JOINT BEARING	3		
5	H168242	SHAFT	1		
6	P50419	SNAP RING	1		
7	AH167980	SHIELD	1	XXXXXX-	(SUB FOR H168239)
8	H168241	POWERSHAFT SHIELD	1	-XXXXXX	
	H135222	SHIELD	1	XXXXXX-	
9	19M7363	CAP SCREW	4	-XXXXXX	M12 X 60
	19M7753	CAP SCREW	4	XXXXXX-	M12 X 70
10	14M7401	LOCK NUT	4	-XXXXXX	M12
	14M7313	LOCK NUT	4	XXXXXX-	M12
11	H161295	YOKE WITH LOCKING COLLAR	2	XXXXXX-	(WITH AE23516, H135222 AND AH167980 SUB FOR H168244)
12	AE23516	CROSS AND BEARING ASSEMBLY	1	XXXXXX-	(INCLUDES (4) BP12946 AND JD7760)
..	<b>BH81805</b>	<b>COMPLETE GOODS/SHIP. BUNDLE</b>	1	<b>XXXXXX-</b>	<b>ADAPTER SHAFT BUNDLE(XXXXXX-)</b>
..	AH167995	UNIVERSAL JOINT YOKE	1	XXXXXX-	(INCLUDES (2) H161295 AND AE23516)

QUANTITIES SHOWN ARE FOR ONE DRIVE

# B18

AUGER AND DRIVE

MAIN DRIVE SHAFT  
HP8792 -UN-19JUL99

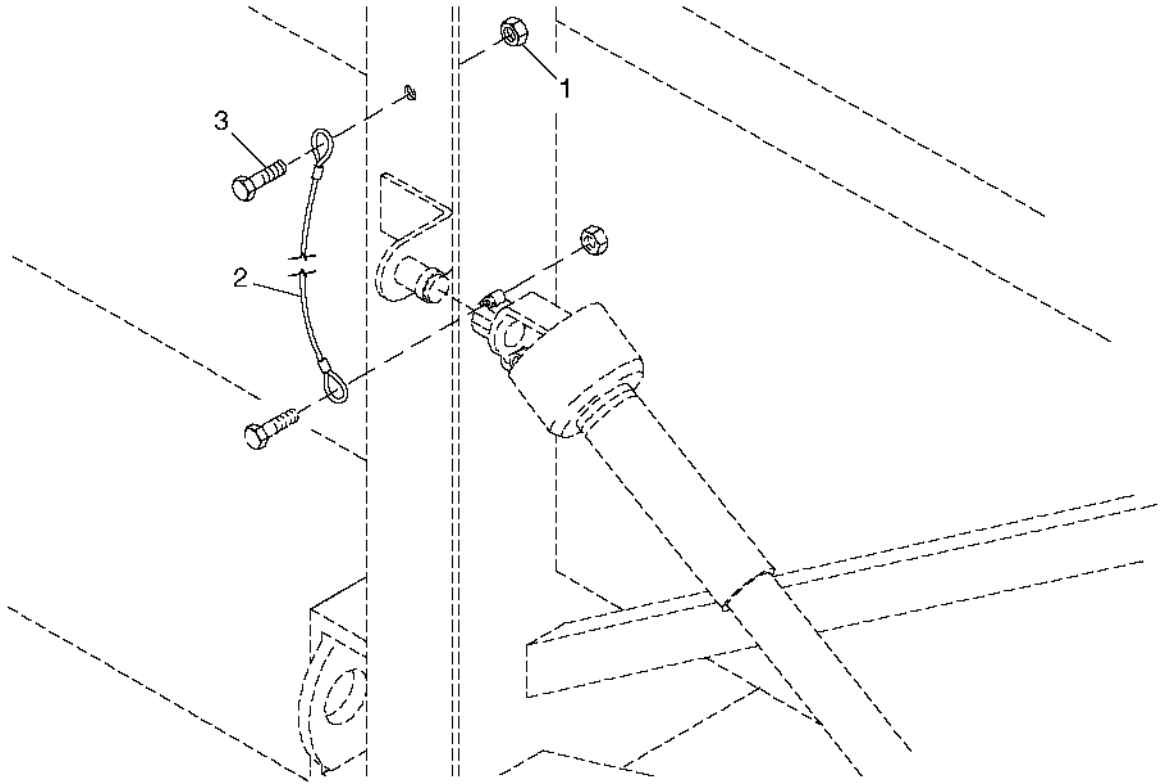


KEY	PART NO.	PART NAME	QTY	SERIAL NO.	REMARKS
1	H172246	UNIVERSAL JOINT YOKE	1		SPLINE BORE
2	JD7760	LUBRICATION FITTING	2		
3	BP12946	SNAP RING	8		
4	AE23516	CROSS AND BEARING ASSEMBLY	2		
5	AH166082	YOKE, WITH SHAFT	1		
	AH166086	YOKE, WITH SHAFT	1		SIDEHILL
6	H161296	SHIELD	2		
7	AH166083	POWERSHAFT SHIELD	1		SIDEHILL
	AH166087	POWERSHAFT SHIELD	1		SIDEHILL
8	AH166085	POWERSHAFT SHIELD	1		
	AH166089	POWERSHAFT SHIELD	1		SIDEHILL
9	H161294	SPACER	1		
10	H172925	LUBRICATION FITTING	2		
11	AH166084	YOKE, WITH TUBE	1		
	AH166088	YOKE, WITH TUBE	1		SIDEHILL
12	H161295	YOKE WITH LOCKING COLLAR	1		HEX BORE
13	14M7401	LOCK NUT	2		M12
14	19M7817	SCREW	4		M12 X 70
15	AH164670	DRIVE SHAFT	1	-690100	
	AH164671	DRIVE SHAFT	1		SIDEHILL
	AH168445	UNIVERSAL DRIVESHAFT	1	690101-	USED WITH NARROW BODY COMBINE
	AH168450	UNIVERSAL DRIVESHAFT	1	690101-	USED WITH WIDE BODY COMBINE
16	E80242	LOCK NUT	2		M12
..	H174539	LABEL	1	690101-	USED WITH AH168445
..	H174540	LABEL	1	690101-	USED WITH AH168450

# B19

AUGER AND DRIVE

**POWER SHAFT STORAGE CABLE ASSEMBLY**  
 HP8842 -UN-23JUL99



HP8842

KEY	PART NO.	PART NAME	QTY	SERIAL NO.	REMARKS
1	H137328	LOCK NUT	2		
2	AH166496	BATTERY BOOSTER CABLES	2		
3	03M7184	BOLT	2	M8 X 20	

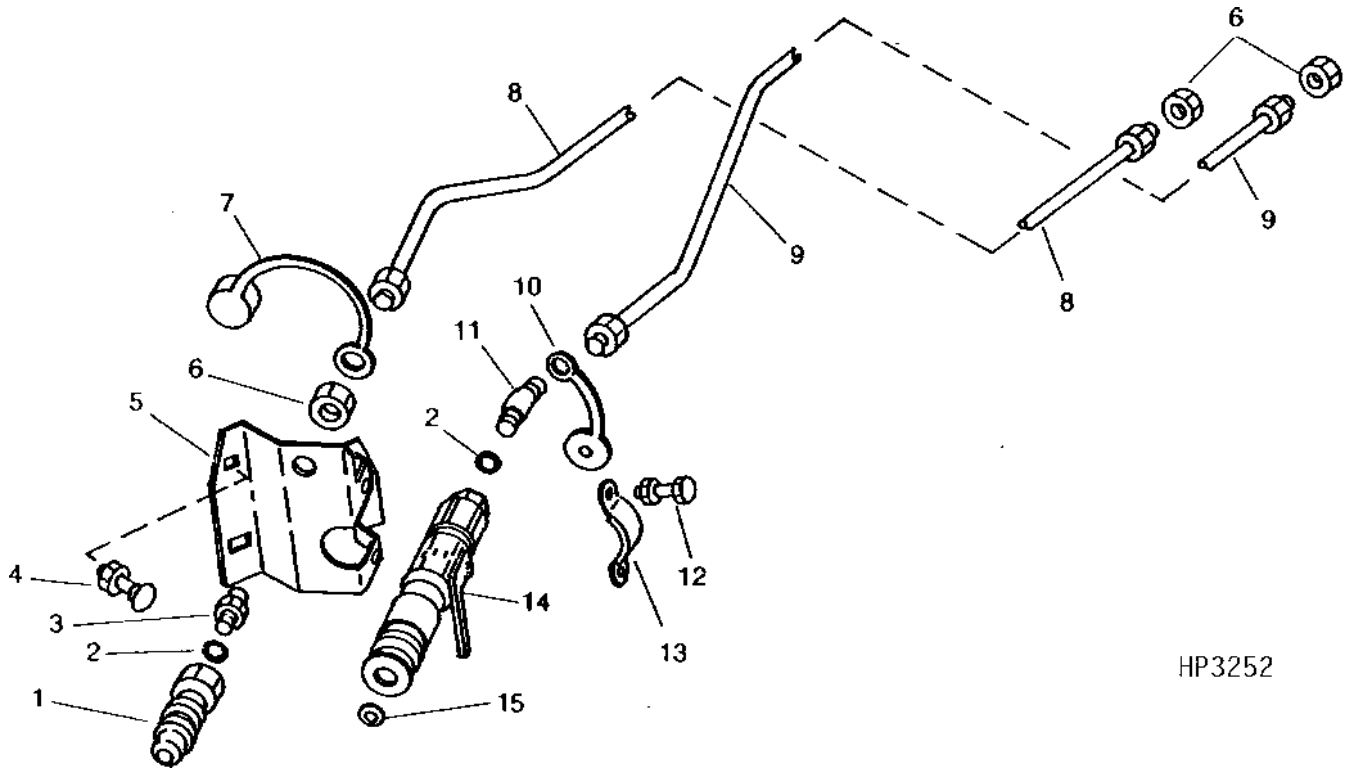


# B21

HYDRAULICS

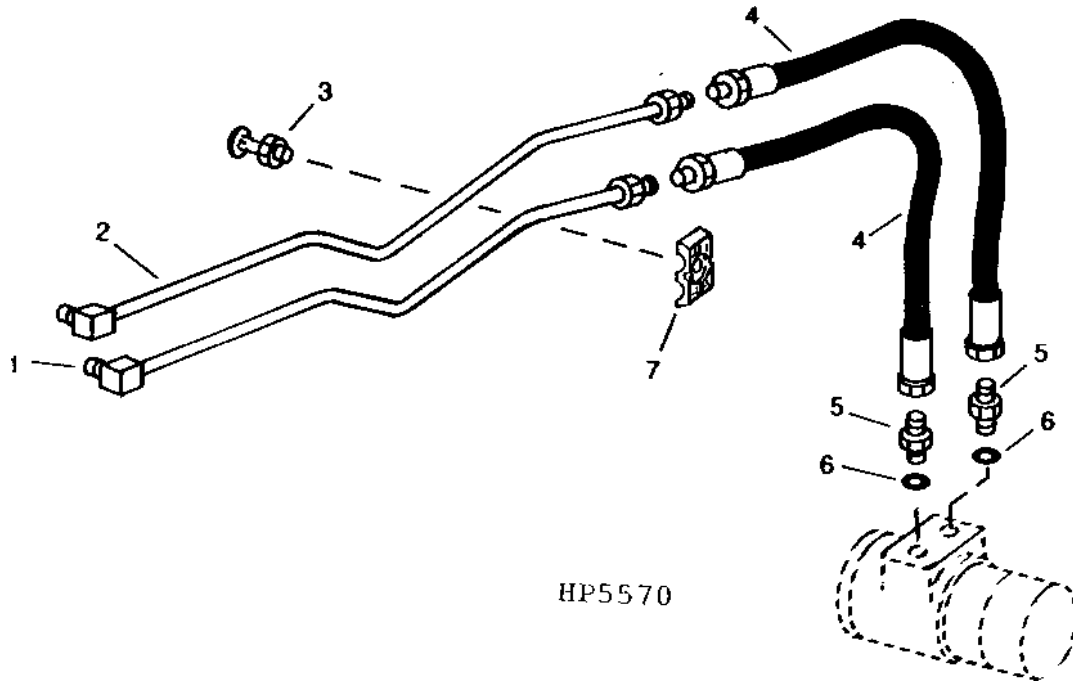
## HYDRAULIC LINES AND BRACKET, PICKUP DRIVE

HP3252 -UN-01JAN94



KEY	PART NO.	PART NAME	QTY	SERIAL NO.	REMARKS
1	AR94522	INTERNAL HALF COUPLER	1		
2	R26375	O-RING	2		16.358 X 2.210 MM (0.644" X 0.087")
3	H115890	UNION FITTING	1		
4	03M7184	BOLT	3		M8 X 20
	14M7298	FLANGE NUT	3		M8
5	H128039	BRACKET	1		
6	14H904	NUT	3		3/4"
7	A15898	CAP	1		
8	AH130473	OIL LINE	1		(912) (PRESSURE)
	AH130474	OIL LINE	1		(914) (PRESSURE)
9	AH130471	OIL LINE	1		(912) (RETURN)
	AH130472	OIL LINE	1		(914) (RETURN)
10	H125403	PLUG	1		
11	AT35599	ELBOW FITTING	1		
12	19M7862	SCREW	2		M6 X 20
	14M7303	FLANGE NUT	2		M6
13	H117229	YOKE	1		
14	AH128241	HYD. QUICK-CONNECT COUPLER	1		
15	R21722	O-RING	1		

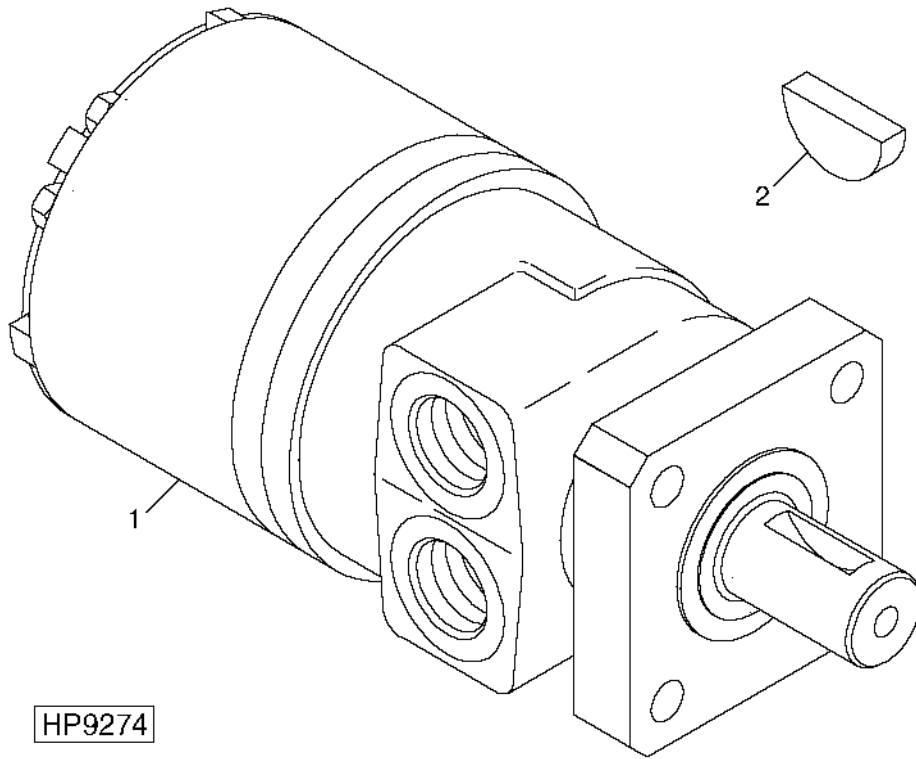
**HYDRAULIC LINES AND HOSES, PICKUP DRIVE**  
 HP5570 -UN-01JAN94



KEY	PART NO.	PART NAME	QTY	SERIAL NO.	REMARKS
1	AH111274	OIL TUBE	1		(LOWER) (PRESSURE)
2	AH111273	LINE	1		(UPPER) (RETURN)
3	03M7189	BOLT	1		M8 X 45
	24H1347	WASHER	1		17/32" X 2" X 0.194"
	14M7298	FLANGE NUT	1		M8
4	AH83833	HYDRAULIC HOSE	2		3/4" X 864 MM (34") X 7/8", (132")
	AH90797	HYDRAULIC HOSE	2		3/4" X 660 MM (26") X 7/8", (154")
5	R27270	FITTING	2		
6	R26906	O-RING	2		19.177 X 2.464 MM (0.755" X 0.097")
7	H135156	CLAMP	1		

# B23

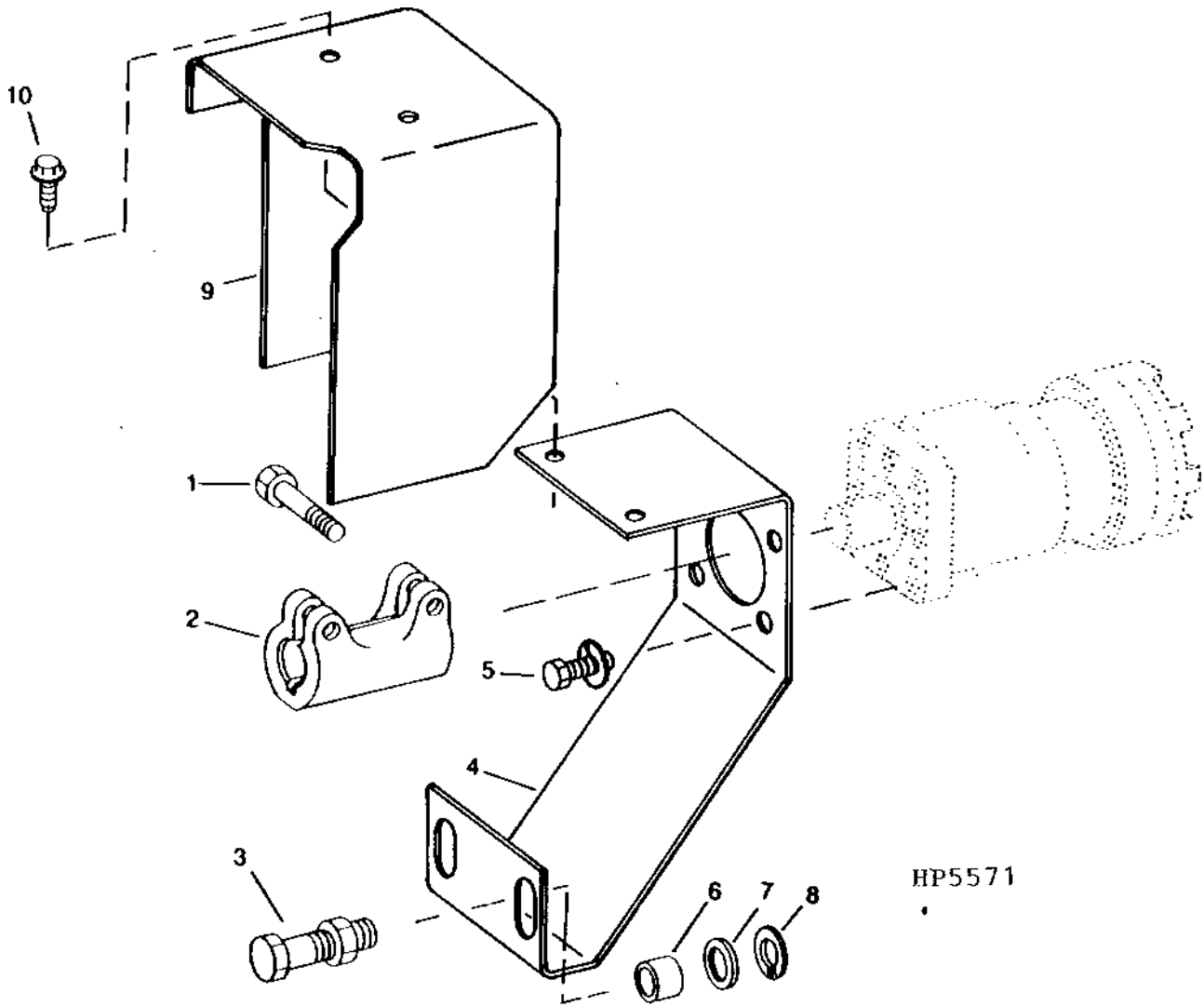
REEL MOTOR (EATON)  
HP9274 -UN-16NOV99



KEY	PART NO.	PART NAME	QTY	SERIAL NO.	REMARKS
1	AH141858	HYDRAULIC MOTOR	1		9.6 IN. DISPLACEMENT
2	26H22	SHAFT KEY	1		1/4" X 1", WOODRUFF
..	AH144831	SEAL KIT	1		

# B24

## HYDRAULIC MOTOR MOUNTING BRACKET AND COUPLER HP5571 -UN-01JAN94



# B25

HYDRAULICS

## HYDRAULIC MOTOR MOUNTING BRACKET AND COUPLER - CONTINUED

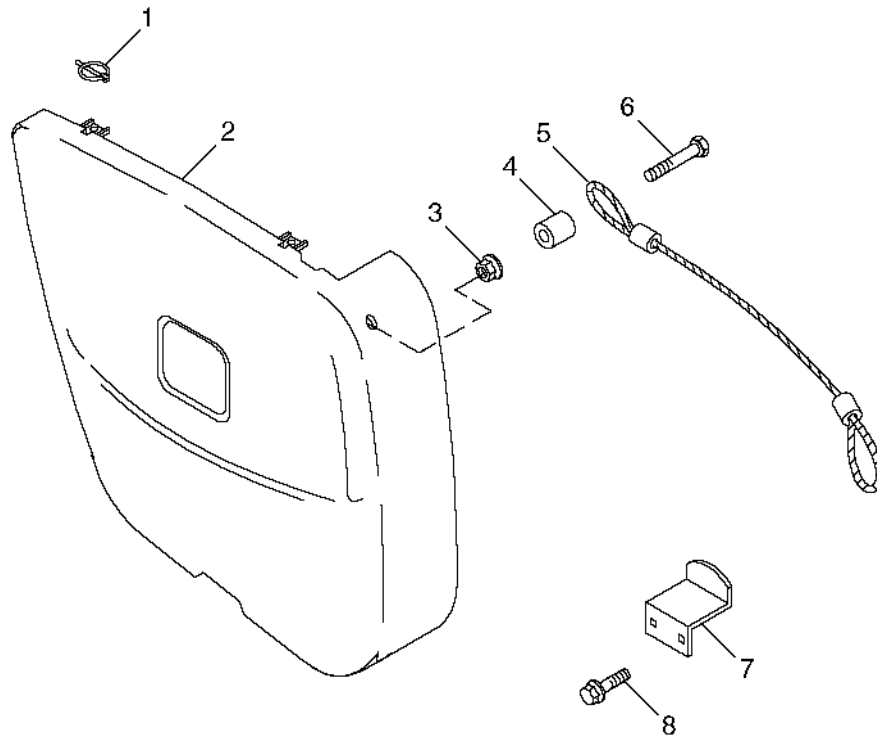
KEY	PART NO.	PART NAME	QTY	SERIAL NO.	REMARKS
1	19M8162	CAP SCREW	2		M10 X 40
2	H147690	COUPLING	1		
3	19M7806	SCREW	2		M10 X 50
	14M7274	NUT	2	-XXXXXX	M10, (132", -685174; 154", -685509)
	14M7296	FLANGE NUT	2	XXXXXX-	M10, (132", 685175- ;154", 685510- )
4	H141254	BRACKET	1		
5	19H1936	CAP SCREW	4		3/8" X 3/4"
	12H304	LOCK WASHER	4		3/8"
6	28H2547	SPACER	2		0.423" X 0.675" X 1"
7	24H1305	WASHER	2		13/32" X 13/16" X 0.065"
8	12H304	LOCK WASHER	2	-XXXXXX	3/8", (132", -685174; 154", -685509)
9	H141255	SHIELD	1		
10	37M7083	SCREW	2		M8 X 12

MEMORANDA

# C2

**SHIELD**  
HP8878

-UN-29JUL99



**HP8878**

KEY	PART NO.	PART NAME	QTY	SERIAL NO.	REMARKS
1	M72598	QUICK LOCK PIN	2		
2	H170343	SHIELD	1		R.H.
3	A22698	NUT	1		5/16"
4	M93897	BUSHING	1		
5	AH134121	CABLE	1		
6	19H1900	CAP SCREW	1		5/16" X 3/4"
7	H136062	BRACKET	2		
8	03M7191	BOLT	2		M10 X 25

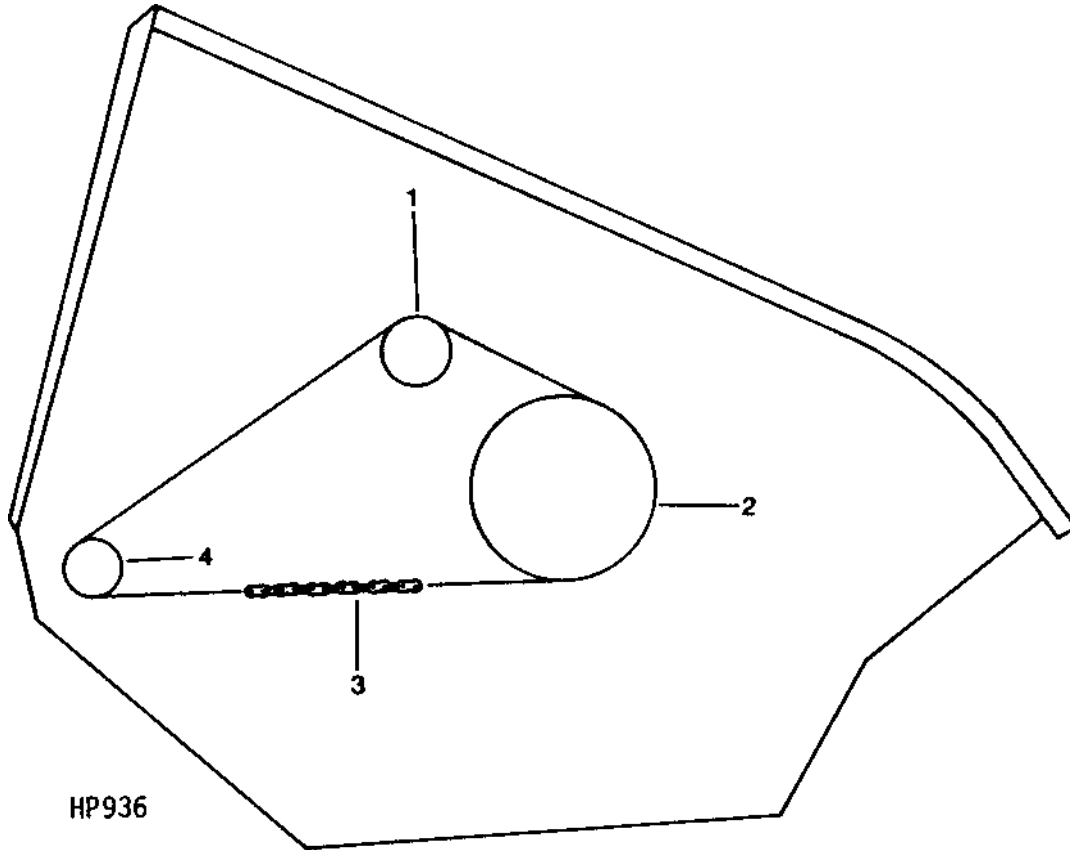
MEMORANDA



# C4

**DRIVE CHAIN, SPROCKETS, AND TIGHTENER ON RIGHT-HAND SIDE  
(PICKUP PLATFORM)**

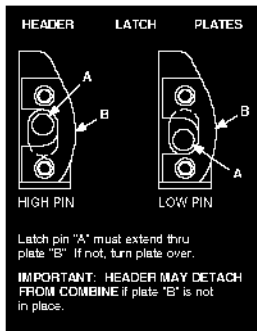
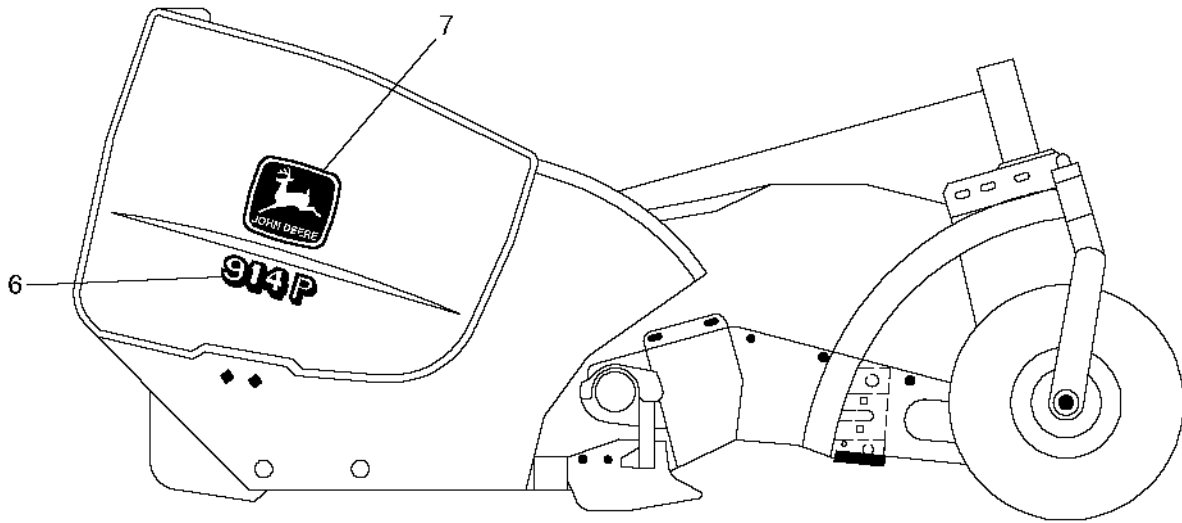
HP936 -UN-01JAN94



KEY	PART NO.	PART NAME	QTY	SERIAL NO.	REMARKS
1	AH89429	CHAIN SPROCKET	1		TIGHTENER, 15 TEETH
2	AH131039	CHAIN SPROCKET	1		DRIVE, 40 TEETH
3	.....	LINK CHAIN	1		ROLLER, DRIVE, TYPE 60, 3/4" PITCH, 89 LINKS, (ASSEMBLE FROM AB1288H, AB1289H, AB1290H, (2) B5235H, B5321H AND B5234H)
4	AH138180	CHAIN SPROCKET	1		DRIVE, 13 TEETH

# C5

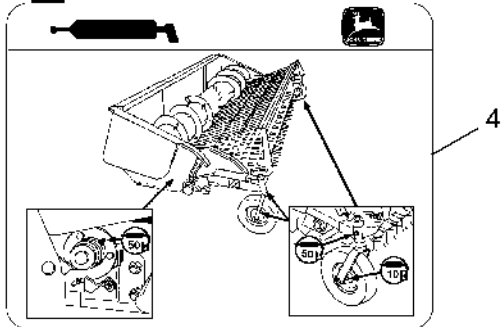
DECALS (685151- )  
HP8861 -UN-29JUL99



**IMPORTANT**  
Remove stripper extensions when connecting head to lateral tilt feeder house to prevent damage to equipment.

**CAUTION**

1. Keep all shields in place.
2. Disengage and shut off all engine and/or motor power before servicing or unclogging machine.
3. Keep hands, feet, and clothing away from power driven parts.



**DANGER**

Entanglement in rotating driveline can cause serious injury or death.

Keep all shields in place.

Avoid contact with rotating parts.

HP8861

# C6

## BELTS, CHAINS, SHEAVES, SPROCKETS AND DECALS

### DECALS (685151- ) - CONTINUED

KEY	PART NO.	PART NAME	QTY	SERIAL NO.	REMARKS
1	JD5920	REFLECTOR	4		(RED) (LOCATED IN REAR, UPPER FRAME OF PLATFORM AND ON TOP REAR OF PLATE - L.H. AND R.H.)
2	JD5921	REFLECTOR	3		(AMBER)(FRONT OF TOP BEAM 2-INCH FROM L.H. END, AND TOP FRONT OF L.H. AND R.H. PLATE) (KIT AH100289) (SUB JD5905)
3	E82510	LABEL	1		"CAUTION" (LOCATED IN REAR, UPPER FRAME OF PLATFORM, R.H.)
4	H135577	LABEL	1		(LUBE CHART) (REAR BACK SHEET - 8 INCH BELOW TOP BEAM AND 6-1/2 INCH FROM L.H. END)
5	E82514	LABEL	1		(DRIVE LINE ENTANGLEMENT) (SIDEHILL ONLY)
	E82513	LABEL	1		FRENCH
6	H169188	LABEL	1		"914 P" (R.H. END SHEET)
7	JD5656	LABEL	1		"LEAPING DEER"
8	H136751	DECAL	1		HEADER LATCH PLATE
9	JD5922	REFLECTOR	2		(ORANGE)
10	H170826	DECAL	2		STRIPPER EXTENSIONS
..	AH100289	DECAL KIT	1		
..	H145146	LABEL	1		FINGER CLEARANCE (INCLUDED IN AH100289 DECAL KIT)

MEMORANDA

## NUMERICAL INDEX

PART NO.	GRID	KEY	PAGE	PART NO.	GRID	KEY	PAGE	PART NO.	GRID	KEY	PAGE
AA21292	A19	2	15-5	AH144831	B23	..	30-3	BH81805	B17	..	25-10
AA5607R	A23	8	20-2	AH145770	A23	11	20-2	BP12946	B17	12	25-10
AB1288H	C4	3	40-1	AH147908	A17	2	15-3	BP12946	B18	3	25-11
AB1289H	C4	3	40-1	AH147909	A17	5	15-3	B5234H	C4	3	40-1
AB1290H	C4	3	40-1	AH148572	B12	4	25-5	B5235H	C4	3	40-1
AD2062R	B6	2	20-9	AH148573	B12	12	25-5	B5321H	C4	3	40-1
AE23516	B17	12	25-10	AH148576	B12	17	25-5	E32172	A9	9	10-1
AE23516	B18	4	25-11	AH148908	B10	6	25-3	E62951	B17	4	25-10
AE31626	B12	15	25-5	AH149332	B10	13	25-3	E80242	B16	6	25-9
AE37204	B12	2	25-5	AH155215	B5	3	20-8	E80242	B18	16	25-11
AH100289	C6	..	40-3	AH155216	B5	3	20-8	E82510	C6	3	40-3
AH103276	A23	4	20-2	AH155397	B5	9	20-8	E82513	C6	5	40-3
AH108452	A15	4	15-1	AH156408	A10	5	10-2	E82514	C6	5	40-3
AH111162	A24	7	20-3	AH159420	B12	6	25-5	GY2125W	B4	10	20-7
AH111174	A19	9	15-5	AH159809	A22	5	20-1	G6891E	A9	14	10-1
AH111175	A19	9	15-5	AH161718	B2	2	20-5	H101594	A13	8	10-5
AH111184	A23	6	20-2	AH161718	B5	6	20-8	H102699	A13	15	10-5
AH111273	B22	2	30-2	AH162186	B16	7	25-9	H103265	B14	16	25-7
AH111274	B22	1	30-2	AH162258	A19	1	15-5	H103265	B16	4	25-9
AH111383	A24	4	20-3	AH163087	B5	2	20-8	H104418	B4	16	20-7
AH111515	A12	3	10-4	AH163088	B5	2	20-8	H106259	A10	4	10-2
AH111516	A12	3	10-4	AH164128	B14	6	25-7	H106260	A10	4	10-2
AH113219	A24	7	20-3	AH164497	B5	1	20-8	H108957	A23	9	20-2
AH113221	A19	9	15-5	AH164499	B6	1	20-9	H111742	A9	7	10-1
AH113222	A19	9	15-5	AH164670	B18	15	25-11	H112896	A19	11	15-5
AH114995	A24	2	20-3	AH164671	B18	15	25-11	H113773	A23	15	20-2
AH116104	B4	6	20-7	AH164783	B2	2	20-5	H115890	B21	3	30-1
AH128241	B21	14	30-1	AH164793	A23	..	20-2	H116160	A23	..	20-2
AH129236	A24	5	20-3	AH164794	A23	..	20-2	H117229	B21	13	30-1
AH129269	A12	6	10-4	AH165002	A24	9	20-3	H118363	A24	13	20-3
AH129270	A12	6	10-4	AH165082	A12	13	10-4	H118364	A13	10	10-5
AH129420	A13	3	10-5	AH165083	A12	5	10-4	H120847	B2	1	20-5
AH130471	B21	9	30-1	AH165089	A12	9	10-4	H125403	B21	10	30-1
AH130472	B21	9	30-1	AH165093	A12	8	10-4	H128039	B21	5	30-1
AH130473	B21	8	30-1	AH166082	B18	5	25-11	H129216	B4	8	20-7
AH130474	B21	8	30-1	AH166083	B18	7	25-11	H131666	B9	3	25-2
AH131039	C4	2	40-1	AH166084	B18	11	25-11	H131668	B9	4	25-2
AH132562	A9	1	10-1	AH166085	B18	8	25-11	H132700	B2	4	20-5
AH132563	A9	1	10-1	AH166086	B18	5	25-11	H134218	A19	18	15-5
AH132566	A11	1	10-3	AH166087	B18	7	25-11	H134219	A19	18	15-5
AH132567	A11	1	10-3	AH166088	B18	11	25-11	H135059	B14	9	25-7
AH132570	A10	6	10-2	AH166089	B18	8	25-11	H135156	B22	7	30-2
AH132571	A10	9	10-2	AH166278	B16	15	25-9	H135222	B17	8	25-10
AH132572	A10	7	10-2	AH166496	B19	2	25-12	H135241	B16	18	25-9
AH132572	A10	..	10-2	AH167062	A24	17	20-3	H135410	A13	2	10-5
AH132905	A19	17	15-5	AH167980	B17	7	25-10	H135577	C6	4	40-3
AH132906	A19	17	15-5	AH167995	B17	..	25-10	H135672	A24	10	20-3
AH133679	A16	3	15-2	AH168445	B18	15	25-11	H136032	B16	19	25-9
AH133711	A9	10	10-1	AH168450	B18	15	25-11	H136046	B12	9	25-5
AH133712	A9	12	10-1	AH83833	B22	4	30-2	H136062	C2	7	35-1
AH134121	C2	5	35-1	AH86897	A17	3	15-3	H136110	B5	13	20-8
AH134128	B9	1	25-2	AH89382	A19	7	15-5	H136751	C6	8	40-3
AH134129	B9	1	25-2	AH89429	C4	1	40-1	H137143	A19	14	15-5
AH134252	B6	3	20-9	AH89557	B6	6	20-9	H137328	B19	1	25-12
AH135591	A12	2	10-4	AH90797	B22	4	30-2	H137329	B14	13	25-7
AH135592	A12	2	10-4	AH91784	B17	2	25-10	H137423	B6	4	20-9
AH135597	A12	12	10-4	AH98138	A10	5	10-2	H137639	A15	5	15-1
AH135598	A12	12	10-4	AN102010	B12	2	25-5	H137639	A20	6	15-6
AH135954	A10	..	10-2	AN102010	B14	10	25-7	H138953	A16	7	15-2
AH138180	B16	26	25-9	AN102010	B16	5	25-9	H139004	A9	13	10-1
AH138180	C4	4	40-1	AN152467	B6	3	20-9	H141220	B4	11	20-7
AH141157	B16	13	25-9	AR94522	B21	1	30-1	H141254	B25	4	30-5
AH141858	B23	1	30-3	AT35599	B21	11	30-1	H141255	B25	9	30-5
AH143603	A19	4	15-5	A15898	B21	7	30-1	H141331	B4	2	20-7
AH143755	A22	9	20-1	A22698	C2	3	35-1	H142185	B5	7	20-8
AH143756	B4	5	20-7	A31870	B16	28	25-9	H142185	B6	8	20-9
AH143851	A23	10	20-2	A50325	A19	10	15-5	H145146	C6	..	40-3

# L25

914P BELT PICKUP PLATFORM

## NUMERICAL INDEX - CONTINUED

PART NO.	GRID	KEY	PAGE	PART NO.	GRID	KEY	PAGE	PART NO.	GRID	KEY	PAGE
H145952	B8	1	25-1	H92692	A20	3	15-6				
H145953	B8	1	25-1	H93439	B17	3	25-10				
H145997	B8	3	25-1	JD5656	C6	7	40-3				
H145998	B8	3	25-1	JD5905	C6	2	40-3				
H147574	A20	1	15-6	JD5920	C6	1	40-3				
H147575	A20	3	15-6	JD5921	C6	2	40-3				
H147690	A13	13	10-5	JD5922	C6	9	40-3				
H147690	B25	2	30-5	JD7760	B18	2	25-11				
H147697	B10	4	25-3	JD7788	A13	9	10-5				
H148345	B16	24	25-9	JD7797	A9	8	10-1				
H148930	A19	3	15-5	JD7829	A9	11	10-1				
H149441	B10	9	25-3	JD8594	A13	5	10-5				
H149471	A20	5	15-6	JD9397	A13	6	10-5				
H154675	A17	1	15-3	J16931	A24	3	20-3				
H156936	A22	23	20-1	M72598	C2	1	35-1				
H161294	B18	9	25-11	M80082	A15	9	15-1				
H161295	B17	11	25-10	M84309	A16	5	15-2				
H161295	B18	12	25-11	M84971	B16	8	25-9				
H161296	B18	6	25-11	M84972	B12	8	25-5				
H161529	B12	1	25-5	M93897	C2	4	35-1				
H161618	B5	12	20-8	N100859	A24	16	20-3				
H162036	A16	2	15-2	P48347	A22	14	20-1				
H162662	B14	4	25-7	P50419	B17	6	25-10				
H163280	A22	1	20-1	RE69297	A22	21	20-1				
H163281	A22	11	20-1	R111692	A22	22	20-1				
H163282	A22	8	20-1	R112679	A22	13	20-1				
H165099	B14	12	25-7	R21722	B21	15	30-1				
H166313	A22	4	20-1	R26375	B21	2	30-1				
H166762	B14	15	25-7	R26871	A22	16	20-1				
H168232	A13	11	10-5	R26906	B22	6	30-2				
H168239	B17	7	25-10	R27270	B22	5	30-2				
H168241	B17	8	25-10	R41076	A22	15	20-1				
H168242	B17	5	25-10	R44302	B2	..	20-5				
H168246	B16	2	25-9	R78053	B5	1	20-8				
H168297	B16	1	25-9	R78061	B6	1	20-9				
H168828	B2	7	20-5	R86457	A22	17	20-1				
H168829	A20	1	15-6	T29049	B12	16	25-5				
H169188	C6	6	40-3	Z20383	B14	17	25-7				
H169205	B14	8	25-7	Z20384	B14	17	25-7				
H169495	B16	16	25-9								
H170343	C2	2	35-1								
H170826	C6	10	40-3								
H171071	A24	12	20-3								
H172105	B16	25	25-9								
H172246	B18	1	25-11								
H172925	B18	10	25-11								
H174360	B14	14	25-7								
H174539	B18	..	25-11								
H174540	B18	..	25-11								
H174947	B14	19	25-7								
H76321	A22	7	20-1								
H76321	A23	13	20-2								
H76321	B4	15	20-7								
H77433	B16	22	25-9								
H80926	B17	1	25-10								
H85488	A15	3	15-1								
H86248	A17	4	15-3								
H86918	B12	11	25-5								
H86918	B14	1	25-7								
H87044	B14	3	25-7								
H87192	B14	2	25-7								
H87193	B12	10	25-5								
H87206	B16	14	25-9								
H87747	A10	3	10-2								
H87994	B10	7	25-3								
H89524	B16	17	25-9								
H89525	B16	20	25-9								